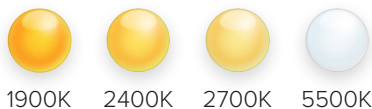




Features

- SMD LED powered by on-board driver for 120V AC use in candelabra base (E12) sockets
- Nickel base resists corrosion
- Available in transparent and opaque lenses
- Dimmable with most CL or TRIAC dimmers*
- IP65 rated for wet location use
- cULus Listed for indoor/outdoor use
- Sold in boxes of 25 and cases of 200

Available Colors

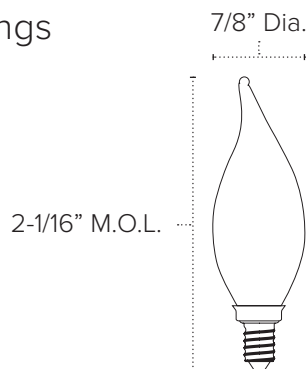


1900K 2400K 2700K 5500K

Dimming Options

- CL (10-100%*)
- TRIAC (10-100%*)

Listing / Ratings



Pro Dec Candelabra

Spherical LED G50 (50mm diameter) lamps for direct replacement of 10W incandescent versions, saving 86% in running costs.

Technical Information

Series	PCA10
Base	E12
Input Voltage	120V AC, 60Hz
CCT	1900K / 2400K / 2700K / 5500K
Wattage	1W
Lumens	Up to 60Lm (see individual product)
IP Rating	IP65
Dimmable	10-100%*
Rating	cULus Listed; Suitable for indoor/outdoor use
Rated Life	25,000 hrs

*Minimum loads will apply

Ordering Information

PCA10-E12-XWW	Transparent / Deluxe Warm White (1900K) / 15Lm
PCA10-E12-UWW	Transparent / Ultra Warm White (2400K) / 21Lm
PCA10-E12-WW	Transparent / Warm White (2700K) / 25Lm
PCA10-E12-WH	Transparent / Bright White (5500K) / 36Lm
PCA10-E12-WW	Opaque / Warm White (2700K) / 32Lm
PCA10-E12-WH	Opaque / Bright White (5500K) / 45Lm