



Features

- Versatile - build a system using kits or single pucks
- Heavy duty hard plastic housing with frosted glare-free tempered glass lens
- Aluminum reflector optimizes light and dissipates heat
- 18AWG SPT-1 leads are 48" in length for easy routing
- Recess or surface mount
- Sold as case quantities of 6

Available Finishes



Black



White

Dimming Options

- Incandescent (1-100%)

Listing / Ratings

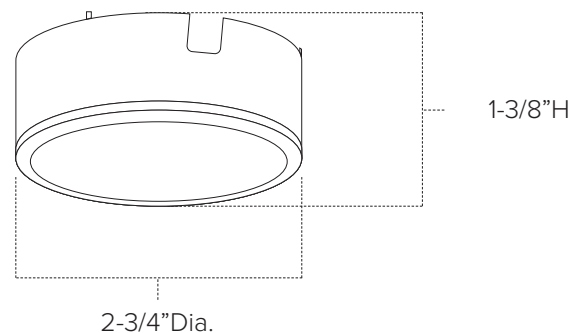


120V Xenon or Halogen Pucks

Economical and easy to use line voltage puck - no transformer needed! Easy twist-off lens holder speeds up installation for recessed and surface mount applications. Surface rings have built-in ventilation pins for better heat dissipation.

Technical Information

Series	LVPX Xenon / ALLVP Halogen
Input Voltage	120V AC, 60Hz
CCT	3200K / 2800K
CRI	99+
Wattage	20W per puck
Lumens	82Lm / 115Lm
Beam Angle	65°
Max Run	200W
Dimmable	1-100%
Mounting	Surface or recess mount (2-1/8" cut-out)
Rating	cULus Listed (dry location)
Rated Life	8,000 hours (Xenon) / 2,500 hours (Halogen)



120V Xenon or Halogen Pucks



120V Puck - Black
20W per puck / 82Lm (Xenon)
LVPX20BK-B Xenon / 3200K



120V Puck - White
20W per puck / 115Lm (Halogen)
ALLVP20WH-B Halogen / 2800K

Individual 120V pucks include 3" lead wire, 3" tail wire and mounting screws



120V Puck Kit - Black
20W per puck / 115Lm (Halogen)
ALLVP20BK Single Puck Kit / Halogen / 2800K



120V Puck Kit - White
20W per puck / 82Lm (Xenon), 115Lm (Halogen)
LVPX20WH Single Puck Kit / Xenon / 3200K
ALLVP20WH Single Puck Kit / Halogen / 2800K

Single puck kits include (1) puck with 3" lead wire, (1) 6' power cord with in-line switch and mounting screws.

120V Xenon or Halogen Puck Accessories



Replacement Halogen Lamps
120V / 20W / 2,500 hr / 1-3/8" M.O.L.
ALLVP20B 2-Pack

120V Xenon or Halogen pucks (LVPX or ALLVP) are compatible with accessories from the LED MVP Puck Light (MVP).
Please visit www.AmericanLighting.com for more information.