

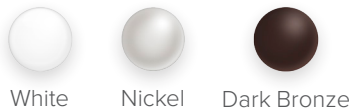
SGL STEP LIGHT LED MODULES



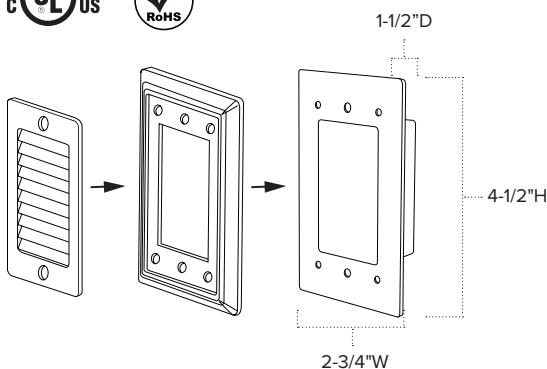
Features

- Durable cast zinc-magnesium faceplate with powder coated finish (plated for Stainless Steel)
- Pair Blue LED light modules with multiple faceplate options for customized low level lighting
- Sealed light module is rated for wet locations (IP65)
- No rough-in kit required - mounts to standard depth single gang junction box (includes watertight gasket)
- 7" 18AWG lead wires
- cULus Listed
- 50,000 hours rated life

Available Finishes



Listing / Ratings



SGL STEP LIGHT

Available in 120-277V blue LED light. No rough-in box required, these indoor/outdoor LED step lights are easy to install for stair safety and visibility. Use to light corridors, stairs, landings, decks and perimeter/landscape areas.

Technical Information

Series	SGL2
Input Voltage	120-277V AC, 60Hz
CCT	468nm (BL)
CRI	N/A
Wattage	1.5W per module
Lumens	N/A
Beam Angle	Varies by faceplate
Dimmable	N/A
Mounting	Direct mount to standard depth single gang junction box
Rating	cULus Listed (wet location)
Rated Life	50,000 hrs

Ordering Information

SGL2-LED-BL* Blue SGL2 LED Light Module

*SGL2 LED Light Modules require the use of a faceplate (sold separately). SGL2 Step Lights (SGL2) are compatible with accessories from the SGL3 Step Light (SGL3). Please visit www.AmericanLighting.com for more information.