



INSTALLATION INSTRUCTIONS

ARS15-3CCT, ARS30-3CCT, & ARS45-3CCT

**⚠ WARNING**

These products may represent a possible shock or fire hazard if improperly installed or attached in any way. Products should be installed in accordance with these instructions, current electrical codes, and/or the current National Electric Code (NEC).

⚠ WARNING

This fixture requires a 120-277V power source. Ensure the voltage of the power source is compatible. Disconnect supply power at the source prior to attempting installation. Proper grounding is required for safety.

SAFETY INFORMATION

- Read all instructions before beginning; Save these instructions for future use.
- To reduce the risk of fire, electric shock, or injury to persons, pay close attention to this manual and stay within its guidelines when using this product.
- If you are unsure about your wiring, consult a qualified electrician or local electrical inspector, and check your local electrical code.
- There are no serviceable parts inside this fixture. Do not attempt to dismantle or service this fixture in any way.
- LEDs are not serviceable. Do not attempt to open the LED light engine.
- LEDs are bright. Do not look directly into fixture.
- Not intended for recess mounting in any type of installation.
- Use minimum 18 AWG coated wire for supply leads.
- If protective lens cover is broken, the fixture must be replaced. Do not use without a protective cover.

INSTALLATION (SEE FIGURES 1 & 2):

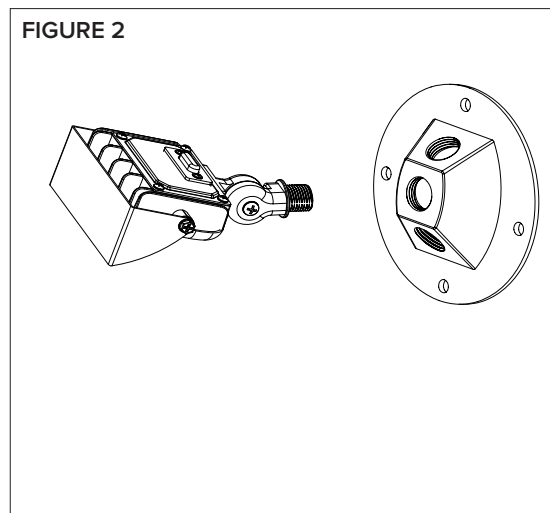
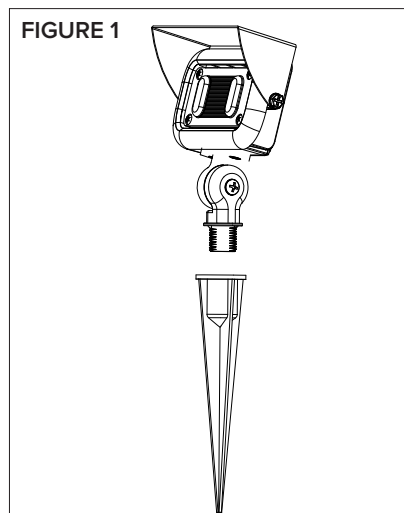
This fixture requires a 120V power source. Disconnect power at the source fuse or circuit breaker box before attempting installation. Ground the fixture to avoid potential electric shock and ensure reliable start. Double-check all connections to be sure they are tight and correct.

Mount to a Soil Mount Stake (ARS-SMS soil mount stake sold separately). See Figure 1:

1. Thread fixture into soil mount stake.
2. Connect wires correctly (Connect the black fixture lead to the (+) LINE supply lead. Connect the white fixture lead to the (-) COMMON supply lead. Connect the GROUND wire from fixture to supply ground.)
3. Adjust angle of fixture for best illumination. Tighten hex screw on adjustable knuckle to lock in position.
4. Turn on power to test fixture operation.
5. To adjust color temperature of light, use the 3-cct slider switch in the center of the canopy to switch between 3000K, 4000K, and 5000K CCT.

Wall Mount (canopy not included). See Figure 2:

1. Run Fixture wiring through wall mount canopy (not included) .
2. Connect wires correctly (Connect the black fixture lead to the (+) LINE supply lead. Connect the white fixture lead to the (-) COMMON supply lead. Connect the GROUND wire from fixture to supply ground.)
3. Attach wall mount canopy (not included) by screwing securely to sturdy surface.
4. Apply power to fixture and test for proper operation.
5. Adjust angle of fixture for best illumination. Tighten hex screw on adjustable knuckle to lock in position.
6. To ensure a weatherproof seal, use weatherproof silicone sealant around the edge of the canopy against the mounting surface and over any screw holes.
7. Turn on power to test fixture operation.
8. To adjust color temperature of light, use the 3-cct slider switch in the center of the canopy to switch between 3000K, 4000K, and 5000K CCT.

**CARE AND MAINTENANCE:**

1. For cleaning, use a soft, dry or damp cloth. Do not use harsh chemicals or abrasives.