

INSTALLATION INSTRUCTIONS

REC-5A-4Z-WiFi



⚠ WARNING

These products may represent a possible shock or fire hazard if improperly installed or attached in any way. Products should be installed in accordance with these instructions, current electrical codes, and/or the current National Electric Code (NEC).

⚠ WARNING

This receiver requires a 12-36V DC power supply (LED-DR series driver recommended, sold separately). Disconnect supply power at the source prior to installation.

SAFETY INFORMATION

- Read all instructions before beginning; Save these instructions for future use.
- To reduce the risk of fire, electric shock, or injury to person(s), pay close attention to this manual and stay within its guidelines when using this product.
- This receiver is rated IP20; avoid the sun and moisture.
- Avoid using receiver in areas where extreme hot, cold, dust, or humidity exist.
- This receiver is suitable for indoor, dry locations only.
- Always be sure to mount this controller in an area with proper ventilation to avoid overheating.
- This product has an operating temperature range of -20°C to 50°C.
- Never connect any cables while power is on and always ensure correct connections to avoid short circuits prior to switching on. Ensure all wires and cables are secured tightly in the connector prior to operation.
- For cleaning, use a soft, dry or damp cloth. Do not use harsh chemicals or abrasives.
- This receiver is rated for 12-36V DC input with a maximum line-in of 32.5A.
- This receiver has 4 output terminals rated for 8A/96-288W each.

INSTALLING RECEIVER (SEE FIGURES 1 and 2):

This receiver requires a 12-36V DC power supply (12V DC or 24V DC LED-DR series driver recommended, sold separately). This receiver requires a Trulux Radio Frequency controller (sold separately) or Trulux App (downloadable).

1. Determine desired location of receiver. Mounting tabs on either end of the receiver may be utilized to secure receiver in place via screws. This receiver has 4 x 8A current output terminals that can be used in conjunction with Trulux Radio Frequency controls or the Trulux App to control single color, Tunable CCT, RGB, and RGB+WW fixtures. Wire the receiver to a fixture by following the fixture's instructions manual and wiring diagrams, ensuring to match polarity (wiring varies depending on product). Connect fixture prior to bringing any power to the system.
2. Bring 12-36V DC supply power to the controller, matching polarity (See Figure 1).

Note: To establish a Master/Follower system where one 'master' receiver instructs multiple connected 'follower' receivers to respond in sync, bring 12-36V DC supply power to each receiver and interconnect as shown in Figure 1. On the input side of each receiver, there is a black plastic cover over two pins; pull this black cover off to set master vs follower. A closed circuit (cap is covering both pins) sets the master and an open circuit (cap is covering only 1 pin) sets the followers (See Figure 2). After installing the master/follower system, the master receiver will need to be powered On/Off once for the master function to take effect.

FIGURE 1

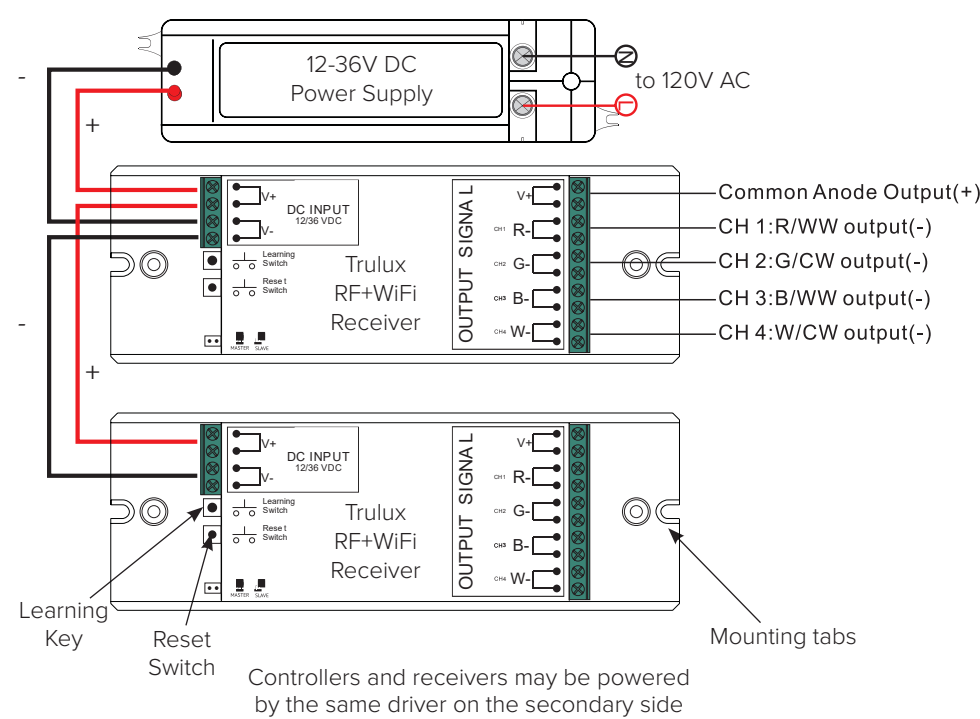
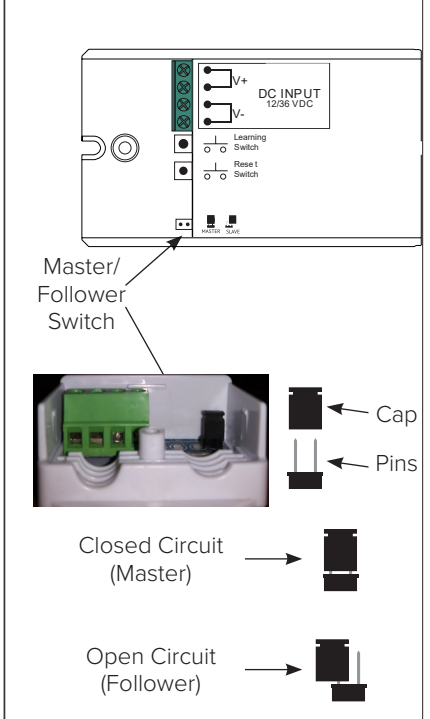


FIGURE 2



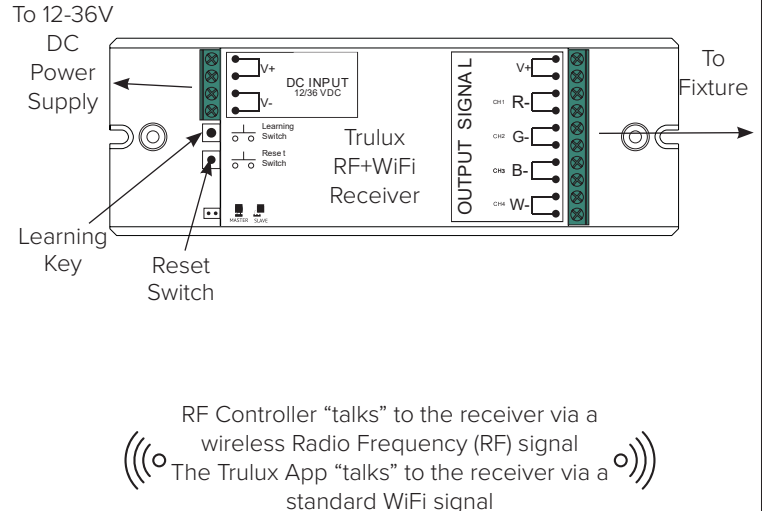
**INSTALLATION INSTRUCTIONS**

REC-5A-4Z-WiFi

**SYNCING RECEIVER WITH A RADIO FREQUENCY CONTROLLER (SEE FIGURE 3):**

This receiver requires a Trulux Radio Frequency controller (sold separately) or the Trulux App for operation. Each receiver can be synced to a maximum of 8 Trulux RF Controllers at one time.

1. Touch the power icon on the controller once to turn on power to the controller.
2. Press the “Learning Key” on the receiver.
3. Select a zone by touching one of the four zone icons on the controller, then touch the slide dimmer to activate controller.
4. Once successfully synced, the connected light source will blink.
5. Repeat steps 2-3 when syncing multiple receivers to a single controller.
6. Press and hold the “Learning Key” for over 3 seconds clear out saved sync data when wanting to reset scenes or zones.
7. Press and hold the “Reset Switch” to return to factory settings.

FIGURE 3**SYNCING RECEIVER WITH THE TRULUX APP VIA WiFi :**

This receiver requires a Trulux Radio Frequency controller (sold separately) or the Trulux App for operation.

1. Open WiFi settings on device and connect to “easylighting...”
2. When prompted for the password, enter 0123456789. Press join
3. Once connected, close out of WiFi settings
4. Open Trulux App
5. Press the “Room” button on the bottom left of screen
6. Select a room to sync to the receiver
7. Close out of the room screen by tapping “room” again
8. Press the “Learning Key” on the receiver. See Figure 3.
9. Move the control dial on your app, light will flash
10. Your device is now synced

FCC Compliance Statement

This device complies with part 15 of the FCC Rules. Operation is subject to the following two conditions:

1. This device may not cause harmful interference, and
2. This device must accept any interference received, including interference that may cause undesired operation.

FCC WARNING

This equipment has been tested and found to comply with the limits for a Class B digital device, pursuant to Part 15 of the FCC Rules. These limits are designed to provide reasonable protection against harmful interference in a residential installation. This equipment generates, uses and can radiate radio frequency energy and, if not installed and used in accordance with the instructions, may cause harmful interference to radio communications. However, there is no guarantee that interference will not occur in a particular installation. If this equipment does cause harmful interference to radio or television reception, which can be determined by turning the equipment off and on, the user is encouraged to try to correct the interference by one or more of the following measures:

- Reorient or relocate the receiving antenna.
- Increase the separation between the equipment and the receiver.
- Connect the equipment into an outlet different from that to which the receiver is connected.
- Consult the dealer or an experienced radio/TV technician for help.