

INSTALLATION INSTRUCTIONS

A6S-E26-30-WH and A6S-E26-30-DB



⚠ WARNING

These products may represent a possible shock or fire hazard if improperly installed or attached in any way. Products should be installed in accordance with these instructions, current electrical codes, and/or the current National Electric Code (NEC).

⚠ WARNING

To reduce the risk of fire, electric shock or injury to persons, make sure that the electrical power to the fixture is disconnected at the source prior to installation or any servicing.

⚠ WARNING

To reduce the risk of fire, electric shock or injury to persons, do not make or alter any open holes in a wiring enclosure nor in any electrical components during kit installation.

⚠ WARNING

To reduce the risk of fire, electric shock or injury to persons, install these kits only in 6" recessed housings. The recessed housing must have a measured diameter (opening) of 5-7/8" minimum to 6-5/8" maximum and a minimum clearance height of 3-3/4"; Confirm this before installation.

⚠ WARNING

This product must be installed in accordance with the applicable installation code by a person familiar with the construction and operation of the product and the hazards involved.

⚠ WARNING

The installer must determine that supply power is 120V AC at the luminaire before installation.

SAFETY INFORMATION

- Read all installation instructions before beginning; if not qualified, do not attempt installation. Contact a qualified electrician.
- To reduce the risk of fire, electric shock, or injury to persons, pay close attention to this manual and stay within its guidelines when using this product.
- Save these instructions for future use.
- This light is intended for dry and damp locations only.
- To prevent wiring damage or abrasion, do not expose wiring to edges of sheet metal or other sharp objects.

CARE AND MAINTENANCE

To clean, use a soft, dry or damp cloth. Do not use harsh chemicals or abrasives.

RETROFIT INSTALLATION: (continued on page 2)

Each fixture includes an attached lead wire with a 120V socket adaptor, an E26 adaptor, and a pair of attached torsion springs. For GU24 recessed housing, use with AL-GU24 conversion adapter (sold separately). See Figure 1.

Future lamp replacement: Model A6S-E26-30-WH and A6S-E26-30-DB are available from American Lighting, Inc. Contact 800-880-1180 or visit www.americanlighting.com to find a local distributor.

1. Confirm the LED downlight retrofit is compatible with the recessed housing as outlined above. See also Figure 1.
2. Remove existing lamp from existing recessed housing.
3. Remove existing trim from existing recessed housing.
4. Detach E26 socket adapter from LED downlight retrofit by grasping plastic connectors firmly and pulling apart. Do not grasp wires to pull connectors apart. See Figure 2.

FIGURE 1

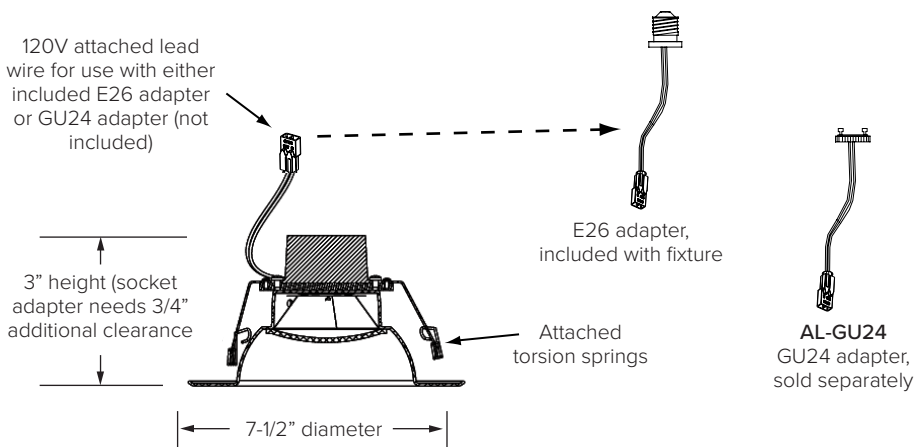
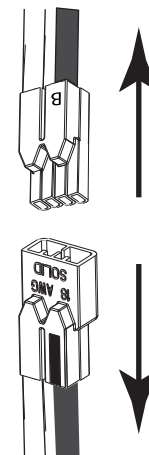


FIGURE 2



INSTALLATION INSTRUCTIONS

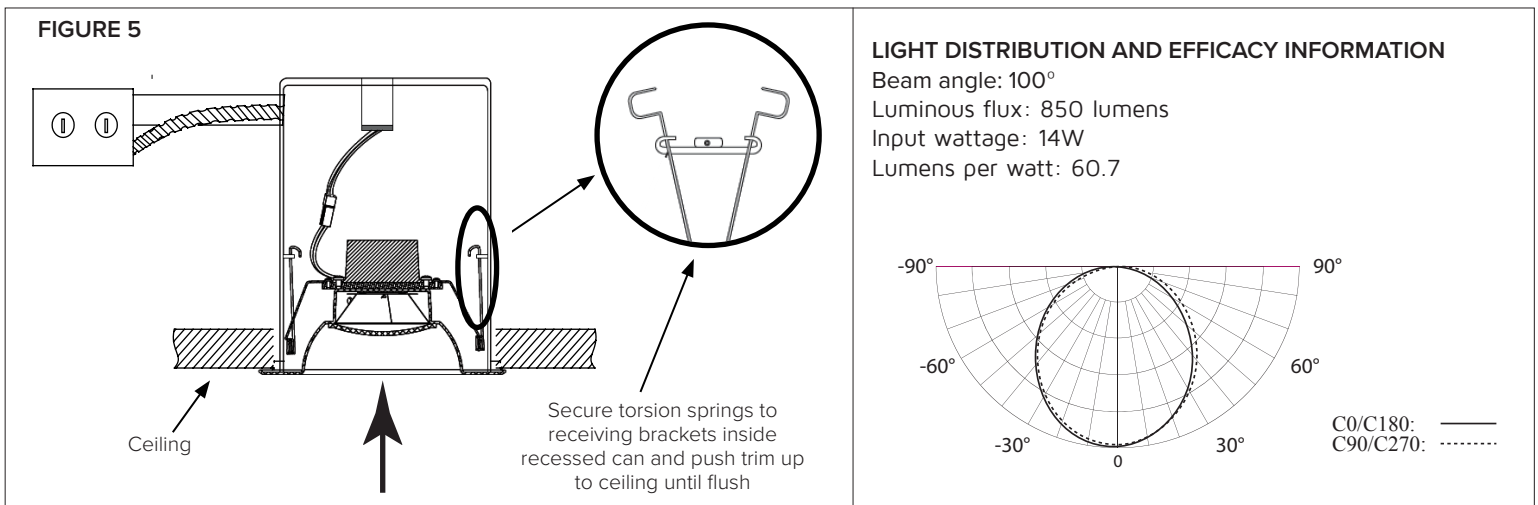
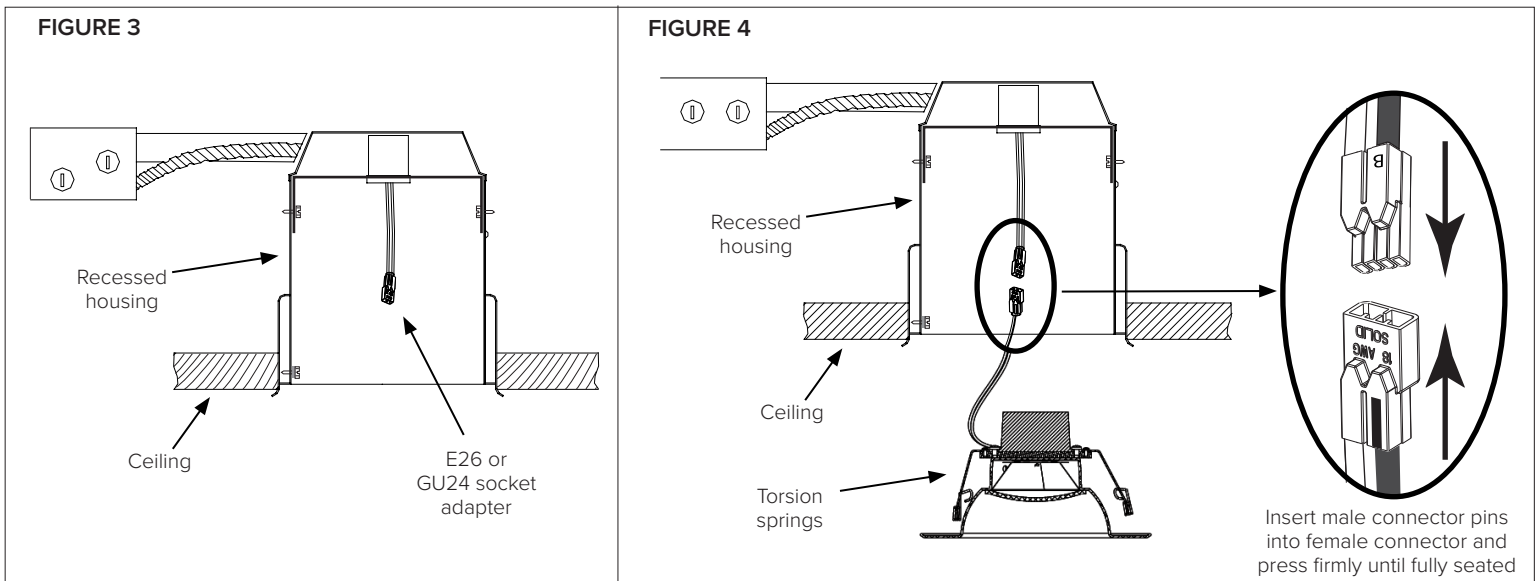
A6S-E26-30-WH and A6S-E26-30-DB



RETROFIT INSTALLATION: (continued from page 1)

5. Screw E26 socket adapter into existing E26 at the back of the recessed housing (or push and twist GU24 socket adapter into existing GU24 socket at the back of the recessed housing). See Figure 3.
6. Insert male connector pins into female connector and press firmly together until fully seated. See Figure 4.
7. Anchor fixture to recessed can, aligning torsion spring with receiving brackets inside wall of existing can. See Figure 5.

NEW CONSTRUCTION INSTALLATION Follow steps 1 and 4 on page 1, then steps 5-7 above.



FIVE YEAR LIMITED PRODUCT WARRANTY

This product is warranted to be free from defects in material and workmanship for a period of five years from the date of purchase. Products that prove to be defective during this period will be either repaired (i.e. replacement of defective electronics, defective parts of the fixture housing, lens, wiring, switching or lamp sockets; excluding the lamp) or replaced, at the discretion of American Lighting, Inc. Claims for defective products must be submitted to the retail location from which the product was purchased within the warranty period. Upon submission of proper return claim documentation and product to American Lighting, Inc by the retailer, American Lighting, Inc reserves the right to inspect the product for misuse or abuse. Claims for indirect or consequential damages or for product that, in American Lighting Inc's opinion has been misused will be denied. This is a warranty of product reliability only and not a warranty of merchantability or fitness for a particular purpose. American Lighting, Inc shall have no liability whatsoever in any event for payment of incidental or consequential damages, including, without limitations, installation costs and damages for personal injury and property. These products may represent a possible shock or fire hazard if improperly installed or altered in any way. This warranty applies only to product that has been properly installed in accordance with instruction sheet and current local codes and/or the National Electrical Code. Warranty does not apply to any product that has been improperly installed or in situations where components have been altered in any way.