

TYPE IC RECESSED HOUSINGS



Safety instructions for AL3-ICAT and AL4-ICAT recessed housings for new construction. AL3-ICAT and AL4-ICAT are Type IC rated and airtight.

WARNING: These products may represent a possible shock or fire hazard if improperly installed or attached in any way. Products should be installed in accordance with these instructions, current electrical codes and/or the current National Electric Code (NEC).

WARNING: To avoid electrical shock, disconnect or disable power at the source prior to installation or maintenance.

WARNING! RISK OF FIRE: Most dwellings built before 1985 have supply wire rated 60°C.

Consult a qualified electrician before installing.

PREPARATION:

1. Read the instructions carefully before installing this fixture. If you are unfamiliar with electrical wiring, have a qualified licensed electrician install this fixture for you.
2. Before proceeding, be sure the ceiling construction follows the requirements shown in Figure 1.
3. Shut off electrical power at the fuse or circuit breaker panel.
4. Properly position a sturdy and stable step ladder high enough to reach the ceiling safely.

Figure 1

Type IC: Housing can be in direct contact with insulation.

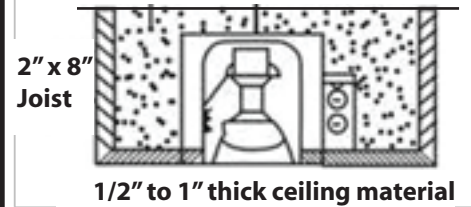


Figure 2



Figure 3

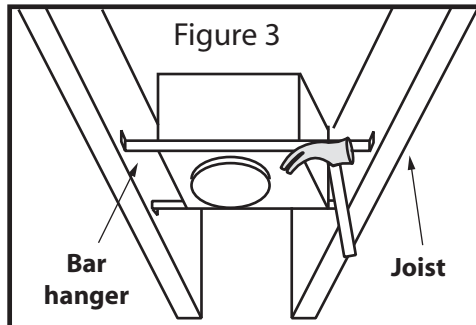
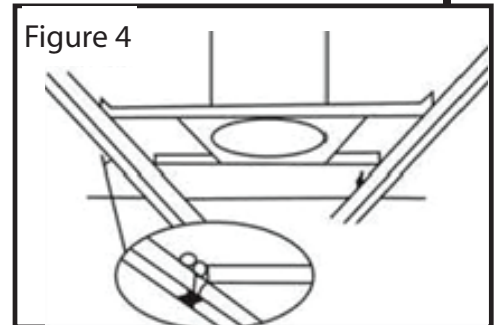


Figure 4



BAR HANGERS:

Install bar hangers to fixture. Be sure nail-in tabs are facing outward. See Figure 2.

FASTENING FIXTURE TO CEILING:

JOIST TYPE CEILING -

Extend bar hangers to fit between joists. Position fixture temporarily by hammering nail-in tabs into joists, (see Figure 3), then secure permanently with nails. Hanger should be level with bottom of joists.

SUSPENDED (T-BAR) TYPE CEILING -

Extend bar hangers 1" past T-bars, then rest fixture on T-bars. Secure fixture onto T-bars with wire. See Figure 4.

ELECTRICAL CONNECTION:

Junction box contains two wires, a black (hot +) and a white (neutral -), which must be spliced to the supply wires. Make sure to splice white to white and colored or black to black. After splicing has been completed, tuck splices carefully into junction box and replace cover.

GROUNDING:

For Romex, or 3-wire Bx flexible clad cable installations, attach supply ground lead (green) to bars, copper ground lead or ground screw in wiring box or mounted on plaster frame. Local electrical codes should be consulted to determine acceptable installation.

CUTTING A HOLE:

Locate the center of proposed opening on sheetrock/ceiling material and mark it. Use a compass to draw a circle 4-1/4" in diameter around the center point. Cut along this circular line.

