

LED Complete 120V Under Cabinet Light Installation Instructions for ALC Series

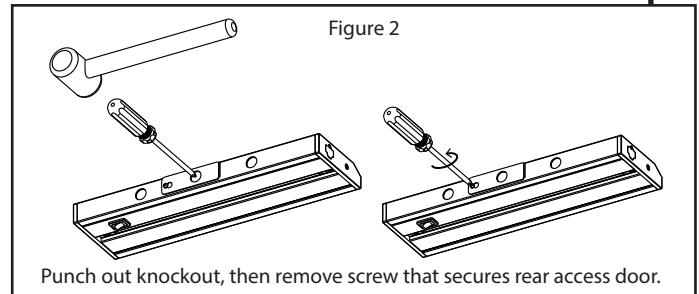
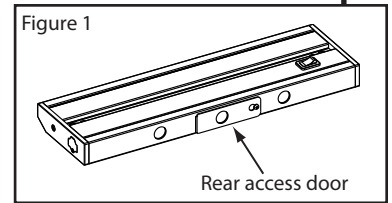


WARNING: These products may represent a possible shock or fire hazard if improperly installed or attached in any way. Products should be installed in accordance with these instructions, current electrical codes and/or the current National Electric Code (NEC).

Warning: To avoid electric shock, disconnect power prior to installation.

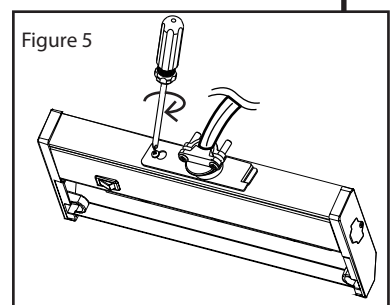
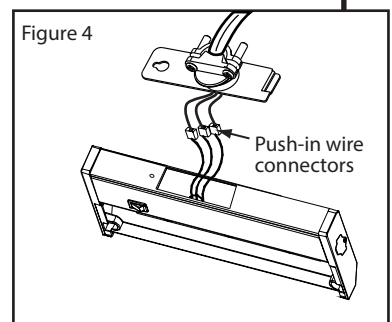
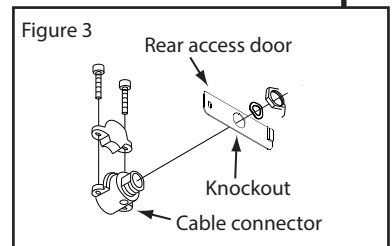
Caution: Injury to persons and damage to the fixture and/or mounting surface may result if the fixture is pulled from the surface. To reduce the likelihood of such injury or damage, mount on a surface that is mechanically sound.

Select a knockout location on the fixture that is best suited for the installation. Knockouts are located along the back and top of housing. The rear access door that is located in the middle of the back of housing also has its own knockout for quick connection to supply wires, foregoing the need to remove the lens cover and open the wiring compartment. See Figure 1, then proceed to the corresponding section below.



Supply wires connection via rear access door: (Figures 2-5)

1. Remove knockout using a hammer or punch; then loosen screw that secures rear access door using a Philips screwdriver or driver bit. See Figure 2.
2. Install cable connector that is appropriate for the supply wire following National Electric Code and local codes through this knockout on the access door. See Figure 3.
(Use 14 or 12AWG wires. AC should be protected by circuit breaker or fuse).
3. Strip back jacket on supply wires 3/8" and use push-in wire connectors inside housing to connect wires (Black to Black/Hot, White to White/Neutral and Yellow/Green stripe [Ground] to bare wire) through knockout so that push-in connectors are positioned on the housing side of the access door. See Figure 4.
4. Replace rear access door and secure with screw. Note: Be sure that the wires are not pinched or damaged by any part of the housing or the cover. See Figure 5.



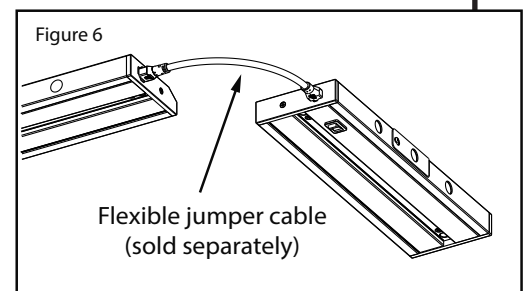
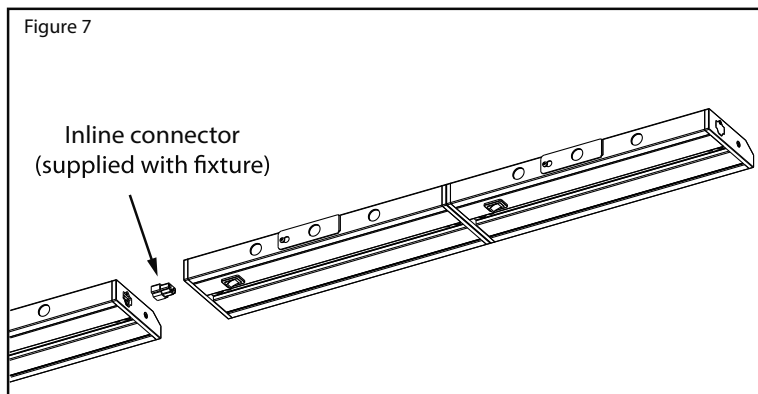
Mounting fixture:

1. Position fixture in desired location and use Philips screwdriver or driver bit to tighten captive mounting screws and secure fixture to an appropriate mounting surface.

Interconnecting fixtures:

1. Use 6" or 12" flexible jumpers (sold separately) to interconnect nearby fixtures. See Figure 6.
2. Use inline connector supplied with each fixture to connect fixtures directly to each other end-to-end. See Figure 7.

Note: The maximum number of fixtures that can be interconnected in either manner is 40.



Available Accessories (sold separately):

- Interconnect cables: 6" and 12" flexible jumper cables; Black or White
- Inline connector: For end-to-end connection; Black or White (one is included with each fixture)
- Power cord: 6' length, grounded (3-prong) plug; Black or White
- Direct wire junction box: Bronze or White

WARNING! CAUTION - RISK OF FIRE: Keep fixtures away from curtains and other combustible materials.



AMERICAN LIGHTING
BRIGHT IDEAS · INNOVATIVE SOLUTIONS

LED Complete 120V Under Cabinet Light Installation Instructions for ALC Series



Suitable for indoor dry locations only.

Model No.	Number of LEDs	Input Watts
ALC-8	7	2.8W
ALC-12	10	4.0W
ALC-18	15	6.0W
ALC-24	20	8.0W
ALC-32	27	10.8W

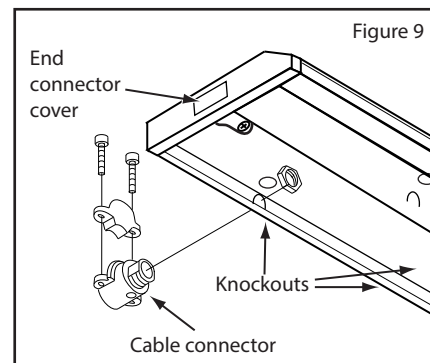
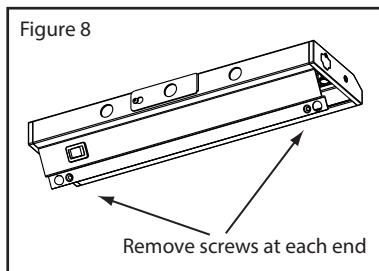
Additional Safety Measures:

1. Do not look directly at LED light source.
2. Do not touch the LEDs.
3. To avoid electrical shock, do not turn on fixture with missing or damaged lens or wiring compartment cover.
4. Do not operate without end connector cover(s) in place for any molex ports/connectors not in use.
5. There are no serviceable parts inside LED module.
6. **WARNING! CAUTION - RISK OF FIRE: Keep fixtures away from curtains and other combustible materials.**
7. Suitable for indoor dry locations only.
8. This product is suitable for use in dimming circuits. For best results (5-100% lighting control), use Lutron DV600P, S600, DVCL-153P or TC-600P type dimmers (www.lutron.com).

Supply wires connection via housing knockouts

Note: This type of installation is less common - only done when access door cannot be used.

1. Open wiring compartment by removing screws at each end and lifting cover from housing body. See Figure 8.
2. Punch out whichever knockout is best suited for connection to 120V supply wires. Knockouts are located along back and top of housing. See Figure 9.
3. Install cable connector and connect fixture wires following National Electric Code and/or local building code requirements. Use minimum 18AWG solid copper wires. AC supply should be 120V protected by circuit breaker or fuse.
4. Attach line voltage AC supply wires to fixture lead wires: Black to Black/Hot, White to White/Neutral and Yellow/Green (Ground) to Green or bare wire inside the fixture. Secure each connection using push-in wire connectors provided on the fixture lead wire. If your system has no ground wire, consult a qualified electrician before proceeding with the installation. Note: Electric shock, overheating, low or no light output and shortened fixture life can result if proper grounding is not done.
5. Replace the wiring compartment cover, securing with the existing retaining screws. Note: Be sure that the wires are not pinched or damaged by any part of the housing or the cover.



5- YEAR LIMITED PRODUCT WARRANTY

This product is warranted to be free from defects in material and workmanship for a period of five years from the date of purchase.

Products that prove to be defective during this period will be either repaired (i.e. replacement of defective electronics, defective parts of the fixture housing, lens, wiring, switching or lamp sockets; excluding the lamp) or replaced, at the discretion of American Lighting, Inc. Claims for defective products must be submitted to the retail location from which the product was purchased within the warranty period. Upon submission of proper return claim documentation and product to American Lighting, Inc by the retailer, American Lighting, Inc reserves the right to inspect the product for misuse or abuse. Claims for indirect or consequential damages or for product that, in American Lighting Inc's opinion has been misused will be denied. This is a warranty of product reliability only and not a warranty of merchantability or fitness for a particular purpose. American Lighting, Inc shall have no liability whatsoever in any event for payment of incidental or consequential damages, including, without limitations, installation costs and damages for personal injury and property. These products may represent a possible shock or fire hazard if improperly installed or altered in any way. This warranty applies only to product that has been properly installed in accordance with instruction sheet and current local codes and/or the National Electrical Code. Warranty does not apply to any product that has been improperly installed or in situations where components have been altered in any way.

For questions / comments, technical assistance or repair parts –
Please call toll free at: 1-800-285-8051 (M-F 8am – 5pm, MST)



AMERICAN LIGHTING
BRIGHT IDEAS • INNOVATIVE SOLUTIONS