

# PANORAMA SENTRY SINGLE



## Installation Instructions for AL-1PIR Series 100-240V AC Operation

**WARNING:** These products may represent a possible shock or fire hazard if improperly installed or attached in any way. Products should be installed in accordance with these instructions, current electrical codes, and/or the current National Electric Code (NEC).

### WARNINGS: READ ALL INSTRUCTIONS BEFORE YOU START:

**CAUTION** - To reduce risk of fire, electric shock, or injury to persons, pay close attention to this manual and stay within its guidelines when using this product. Before use, note that this product requires an 100-240V AC power source. Ensure that the voltage of your power supply is compatible!

### APPLICATION/USE:

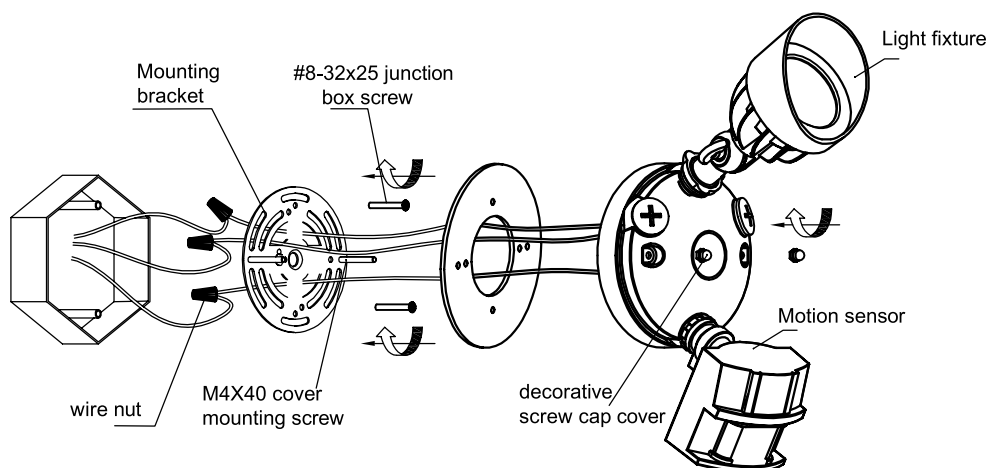
This product is suitable for use in wet locations. Best practices include mounting fixture to a round or octagonal 4" junction box that is recessed, at least 1-1/2" in depth, and a mounting height of at least 7.87 feet (2.4 meters) from the ground. Check junction box size and location carefully before attempting to mount fixture.

### INSTALLATION: See Figure 1 below for reference.

**WARNING: Disconnect supply power from the source prior to installation! Do not rely on wall switch alone to turn off power. This product must be installed in accordance with the applicable installation code by a person familiar with the construction and operation of the product and the hazards involved. DO NOT install within 7.87 ft (2.4 meters) of the ground. Fixture can be eave mounted.**

1. Affix the mounting screws (type MX4X40) to the mounting bracket. Install the mounting bracket onto a standard junction box using provided #8 32x25 screws. Make sure the ground (GND) screw is facing you.
2. Put gasket on the mounting bracket, pulling supply wires through the center opening of the gasket, and aligning the screw holes with the mounting bracket screws and the desired fixture canopy orientation.
3. Thread the ground wire (copper wire) from the LED unit through the junction box, and connect to the supply ground wire using a wire nut provided. NOTE: If the house/supply wiring does not include a ground wire, consult your local electrical code for approved grounding methods.
4. Use wire nuts provided to connect the black fixture wire to the black (Hot) supply wire and the white fixture wire to the white (Neutral) supply wire.
5. Install LED fixture canopy over the mounting bracket. Tighten decorative screw cap covers (acorn nuts) to secure the unit to the mounting bracket.
6. Apply silicone caulking (not included) around the perimeter of the canopy where it contacts the mounting surface for moisture seal.
7. Adjust the lamps and sensor to the direction you would like to cover.

Figure 1



# PANORAMA SENTRY SINGLE

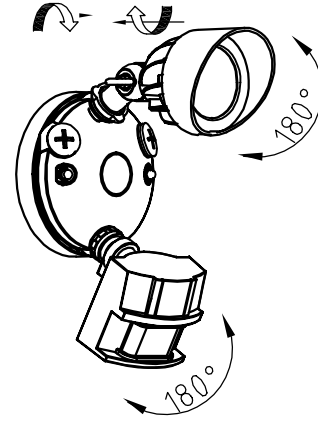
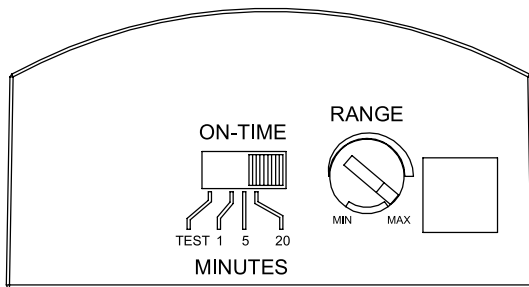


## Installation Instructions for AL-1PIR Series 100-240V AC Operation

### MOTION SENSOR NOTES:

- Motion sensor has a horizontal range of 59 feet (18m).
- Aim the motion sensor toward the targeted detection zone. Avoid pointing at trees, street traffic, or other moving objects.
- Point the sensor away from heat producing sources to prevent false triggering. Also avoid windows, white walls and water within the detection zone.

Figure 2



### MOTION SENSOR OPERATION:

See Figure 2 above for reference.

#### 1. Setting the sensor for testing

When the "ON-TIME" switch is set to the "TEST" position, the light fixture will operate during the day or night. The lights will stay on for 5 seconds after all motion is stopped. NOTE: The motion sensor will need to completely warm up (30 seconds) before beginning the setup process.

- ◇ Set the "ON-TIME" switch to "TEST".
- ◇ Turn the "RANGE" dial to the "MIN" position.
- ◇ Aim the motion sensor in the general direction of the area to be covered.

#### 2. Adjusting the RANGE dial

- ◇ To increase the detection zone, turn the "RANGE" dial toward the "MAX" position.
- ◇ To decrease the detection zone, turn the "RANGE" dial towards the "MIN" position.

#### 3. Adjusting the ON-TIME switch

The "ON-TIME" switch determines the amount of time the light will stay at full brightness after all motion has stopped.

- ◇ Set the "ON-TIME" switch to 1, 5, or 10 minute positions.

#### 4. Using MANUAL mode

Manual mode overrides the motion sensor "ON-TIME" control so the light will operate. This feature only works at night.

The motion sensor will reset to the sensing mode at sunrise. Manual mode can be turned ON and OFF using a wall switch.

- ◇ To turn MANUAL Mode ON, switch the light to OFF at the wall switch for 1-3 seconds and turn back ON.
- ◇ To turn MANUAL Mode OFF, switch the light to ON at the wall switch for 1-3 seconds and turn back OFF.

### ADDITIONAL SAFETY MEASURES:

1. LEDs are not serviceable. Do not attempt to open the LED light engine.
2. LEDs are bright. Do not look directly into fixture.
3. Not intended for recess mounting in any type of installation.
4. Use minimum 20 AWG coated wire for supply leads.
5. These fixtures can be used outdoors. The minimum height from the ground shall not be less than 7.87 feet (2.4 meters).
6. Be sure to connect ground lead.
7. If protective lens cover is broken, the fixture must be replaced. Do not use without a protective cover.