

# PANORAMA SENTRY DOUBLE

Installation Instructions for AL-2PIR Series  
100-240V AC Operation



**WARNING:** These products may represent a possible shock or fire hazard if improperly installed or attached in any way. Products should be installed in accordance with these instructions, current electrical codes, and/or the current National Electric Code (NEC).

## WARNINGS: READ ALL INSTRUCTIONS BEFORE YOU START:

**CAUTION** - To reduce risk of fire, electric shock, or injury to persons, pay close attention to this manual and stay within its guidelines when using this product. Before use, note that this product requires an 100-240V AC power source. Ensure that the voltage of your power supply is compatible!

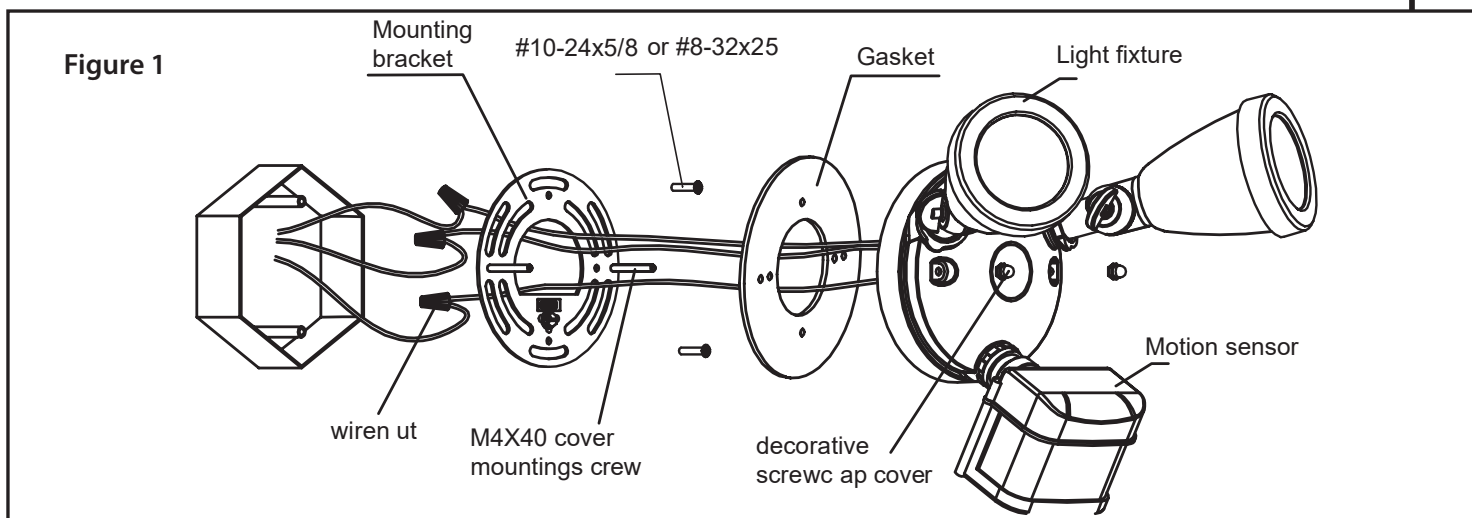
## APPLICATION/USE:

This product is suitable for use in wet locations. Best practices include mounting fixture to a round or octagonal 4" junction box that is recessed, at least 1-1/2 inches in depth. Check junction box size and location carefully before attempting to mount fixture.

## INSTALLATION: See Figure 1 below for reference.

**WARNING: Disconnect supply power from the source prior to installation! Do not rely on wall switch alone to turn off power. This product must be installed in accordance with the applicable installation code by a person familiar with the construction and operation of the product and the hazards involved. Fixture can be eave mounted.**

1. Disconnect power at the source prior to attempting installation.
2. With the ground (GND) screw facing you, affix the canopy mounting screws (type M4X40) to the mounting bracket from the backside so that they align with the two holes in the canopy. (Note: the outside holes align.)
3. With the ground (GND) screw facing you, pull the supply wires through the mounting bracket.
4. Attach the ground wire from the supply to the ground screw on the mounting bracket. NOTE: If the house/supply wiring does not include a ground wire, consult your local electrical code for approved grounding methods.
5. Secure the mounting bracket onto a standard junction box using provided #8 32x25 junction box screws, orienting the M4X40 canopy mounting screws appropriately for your installation.
6. With the protective adhesive strip facing the mounting bracket, pull the black (Hot) supply wire and the white (Neutral) supply wire through the center opening of the gasket.
7. Pull the ground wire (copper wire) from the LED unit through the center opening of the gasket and attach this to the ground screw on the mounting bracket.
8. Align the outside holes of the gasket with the protruding screws in the mounting bracket, peel the adhesive strip off the gasket and adhere it to the mounting bracket.
9. Use wire nuts provided to connect the black fixture wire to the black (Hot) supply wire and the white fixture wire to the white (Neutral) supply wire.
9. Install LED fixture over the mounting bracket, aligning M4X40 mounting screws, making sure not to pinch any wires. Tighten acorn nuts to secure the unit to the mounting bracket.
10. Apply silicone caulking (not included) around the perimeter of the canopy where it contacts the mounting surface for moisture seal.
11. Adjust the lamps and sensor to the direction you would like to cover.



# PANORAMA SENTRY DOUBLE

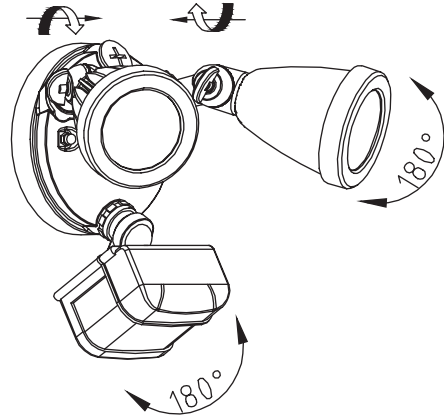
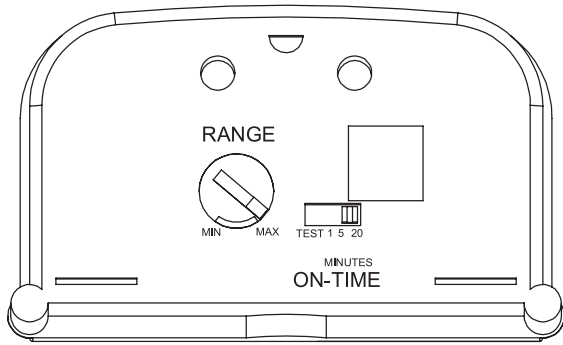
Installation Instructions for AL-2PIR Series  
100-240V AC Operation



## MOTION SENSOR NOTES:

- Motion sensor has a horizontal range of 59 feet (18m).
- Aim the motion sensor toward the targeted detection zone. Avoid pointing at trees, street traffic, or other moving objects.
- Point the sensor away from heat producing sources to prevent false triggering. Also avoid windows, white walls and water within the detection zone.

Figure 2



## MOTION SENSOR OPERATION:

See Figure 2 above for reference.

### 1. Setting the sensor for testing

When the "ON-TIME" switch is set to the "TEST" position, the light fixture will operate during the day or night. The lights will stay on for 5 seconds after all motion is stopped. NOTE: The motion sensor will need to completely warm up (30 seconds) before beginning the setup process.

- ◇ Set the "ON-TIME" switch to "TEST".
- ◇ Turn the "RANGE" dial to the "MIN" position.
- ◇ Aim the motion sensor in the general direction of the area to be covered.

### 2. Adjusting the RANGE dial

- ◇ To increase the detection zone, turn the "RANGE" dial toward the "MAX" position.
- ◇ To decrease the detection zone, turn the "RANGE" dial towards the "MIN" position.

### 3. Adjusting the ON-TIME switch

The "ON-TIME" switch determines the amount of time the light will stay at full brightness after all motion has stopped.

- ◇ Set the "ON-TIME" switch to 1, 5, or 20 minute positions.

### 4. Using MANUAL mode

Manual mode overrides the motion sensor "ON-TIME" control so the light will operate. This feature only works at night.

The motion sensor will reset to the sensing mode at sunrise. Manual mode can be turned ON and OFF using a wall switch.

- ◇ To turn MANUAL Mode ON, switch the light to OFF at the wall switch for 1-3 seconds and turn back ON.
- ◇ To turn MANUAL Mode OFF, switch the light to ON at the wall switch for 1-3 seconds and turn back OFF.

## ADDITIONAL SAFETY MEASURES:

1. LEDs are not serviceable. Do not attempt to open the LED light engine.
2. LEDs are bright. Do not look directly into fixture.
3. Not intended for recess mounting in any type of installation.
4. Use minimum 18 AWG coated wire for supply leads.
5. These fixtures can be used outdoors, mounted where directly exposed to rain and/or snow.
6. Be sure to connect ground lead.
7. If protective lens cover is broken, the fixture must be replaced. Do not use without a protective cover.

