

## INSTALLATION INSTRUCTIONS

### ST4-30-Series



#### **⚠ WARNING**

These products may represent a possible shock or fire hazard if improperly installed or attached in any way. Products should be installed in accordance with these instructions, current electrical codes, and/or the current National Electric Code (NEC).

#### **⚠ WARNING**

The electrical rating of this product is 120V AC, 60Hz. The installer must determine whether the power supply is appropriate at the luminaire prior to installation. To avoid possible electric shock, be sure that power source is turned off at fuse box or circuit breaker prior to attempting installation or servicing of the fixture.

#### **⚠ WARNING**

Use with a pancake, standard depth 4" junction box, or recessed cans/housings (3" or 4") only. Do not attempt to alter for other sizes or purposes.

#### **SAFETY INFORMATION**

- Read all instructions before beginning; Save these instructions for future use.
- To reduce the risk of fire, electric shock, or injury to persons, pay close attention to this manual and stay within its guidelines when using this product.
- LED Disc light installation requires knowledge of recessed lighting luminaires and their electrical systems. If not qualified or uncertain, do not attempt installation: contact a qualified electrician.
- Supply conductors (power wiring) connecting the fixture must be rated for a minimum of 90°C.
- Do not make or alter any open holes in wiring enclosures, nor in any electrical components during kit installation.
- Do not alter, relocate, or remove wiring, lamp holders, power supply, or any other electrical component.
- Do not use these products in luminaires located where elevated ambient temperatures exist.
- To avoid electrical shock, do not turn on fixture with missing or damaged lens.
- There are no serviceable parts inside the fixture or LED module.
- Use only a mild soap and water with soft cloth to clean the fixture. Harsh chemicals will damage the finish. Do not wipe the fixture with a rough cloth that may scratch the finish or lens.

#### **FIXTURE CONTENTS (SEE FIGURE 1):**

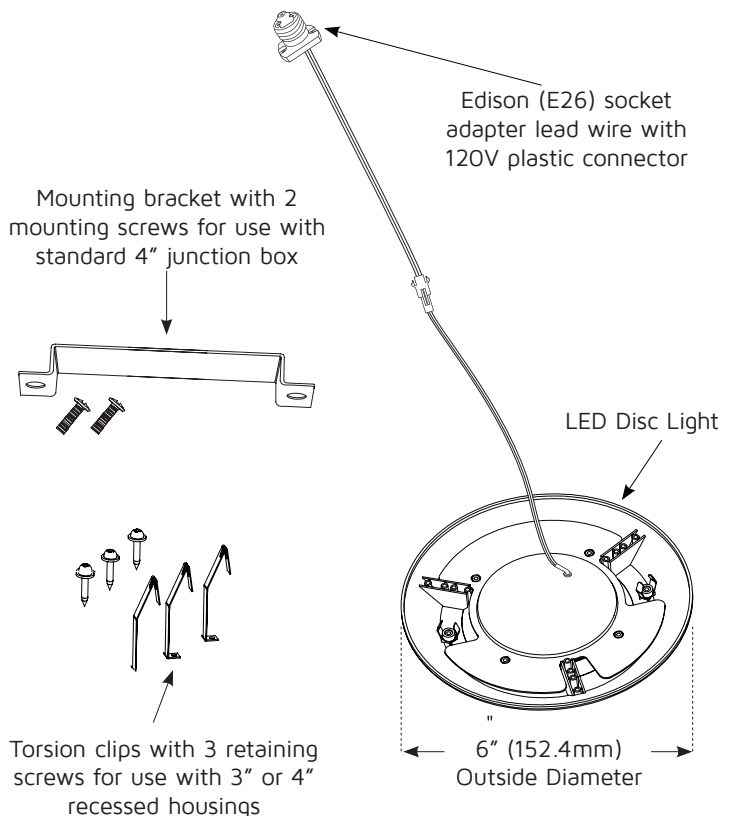
Each ST4-30 disc light includes:

- (1) Edison (E26) socket adaptor lead wire with 120V plastic connector
- (1) Lead wires to 120V power source and to LED disc light
- (1) LED Disc Light
- (1) Mounting bracket for junction box
- (2) Mounting screws for mounting bracket
- (3) Torsion clips for recessed housing
- (3) Retaining screws for torsion clips

#### **DETERMINE INSTALLATION TYPE:**

The LED disc light is designed for either recessed housing or junction box installation. For recessed housing installation, see page 2. For junction box installation, see page 3.

**FIGURE 1**



## INSTALLATION INSTRUCTIONS

### ST4-30-Series



#### RECESSED HOUSING INSTALLATION:

The LED disc light is compatible with most 3" or 4" recessed housings (Including the AL4-ICAT sold separately). It has a built-in trim and does not require any additional trim or lamp.

The LED disc light is compatible with type IC or type non-IC recessed housings with dimensions as follows:

Maximum Diameter	Minimum Diameter	Location
4-3/4" (12cm)	2-3/4" (7cm)	Indoor/Outdoor; Dry, Damp, or Wet Location

**CAUTION:** Always make sure the power to the fixture is disconnected at the source prior to beginning the removal of the existing lamp and/or trim or before beginning the retrofit installation. Failure to do so can cause electric shock, which can result in injury or death.

1. Remove the existing lamp and trim, if applicable.
2. Confirm the LED disc light is compatible by measuring the existing recessed housing diameter and checking the chart above.
3. Using the measurement from the chart above, secure the torsion clips accordingly to achieve a tight fit against the wall of the recessed housing (See Figure 2).
4. When attaching torsion clips, be sure to adjust them so that the ends point outward (See Figure 3).
5. Attach the Edison (E26) socket adapter to the socket inside the recessed housing by turning clockwise, as a light bulb would be screwed into a socket (See Figure 4).
6. Snap the plastic connectors together until fully seated (See Figure 4).
7. Push the LED disc light to the ceiling until flush, allowing the torsion clips to secure the disc to the recessed housing (See Figure 5). Note that the mounting bracket will not be used and can be discarded.

FIGURE 2

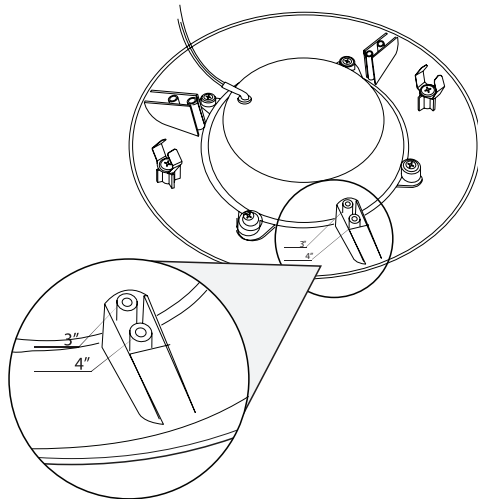


FIGURE 3

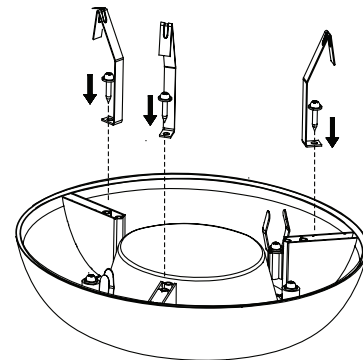


FIGURE 4

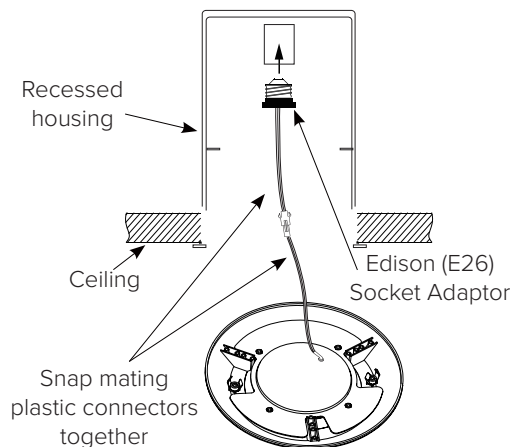
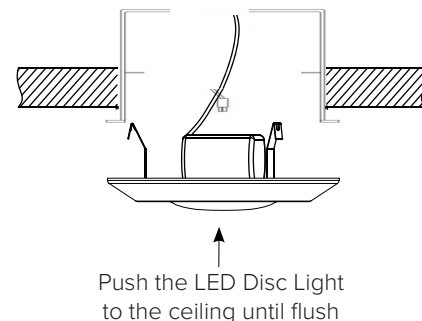


FIGURE 5



## INSTALLATION INSTRUCTIONS

### ST4-30-Series



#### JUNCTION BOX INSTALLATION:

The LED disc light is compatible with most standard 4" junction boxes, including "pancake" junction boxes.

**CAUTION:** Always make sure the power to the fixture is disconnected at the source prior to beginning the removal of the existing lamp and/or trim or before beginning the retrofit installation. Failure to do so can cause electric shock, which can result in injury or death.

1. Attach the mounting bracket to the junction box using the 2 mounting screws included (See Figure 6).
2. If attached, remove the Edison (E26) socket adapter lead wire by pulling apart the plastic connectors. This will not be used.
3. Cut off the plastic connector (See Figure 7).
4. Strip back the lead wires to 5/8" and connect to the power supply wires inside the junction box. Match the polarity as follows: Black wire to Black Line Voltage Supply wire and White wire to White Neutral Supply wire (See Figure 9).
5. Push the LED disc light onto the mounting bracket by aligning the mounting bracket holes with the LED disc light's attached spring clips (See Figure 9).

FIGURE 6

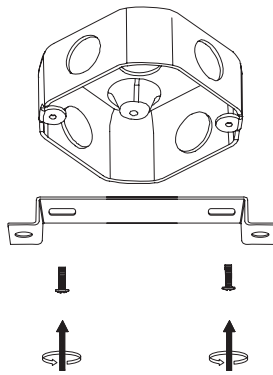


FIGURE 7

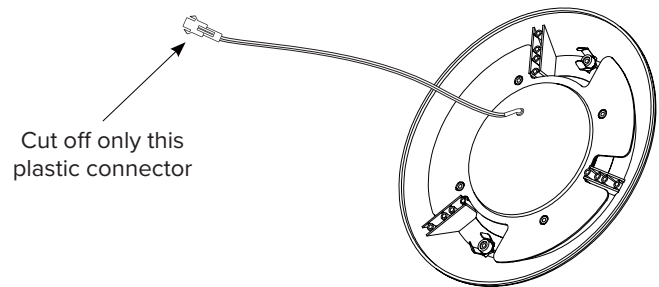


FIGURE 8

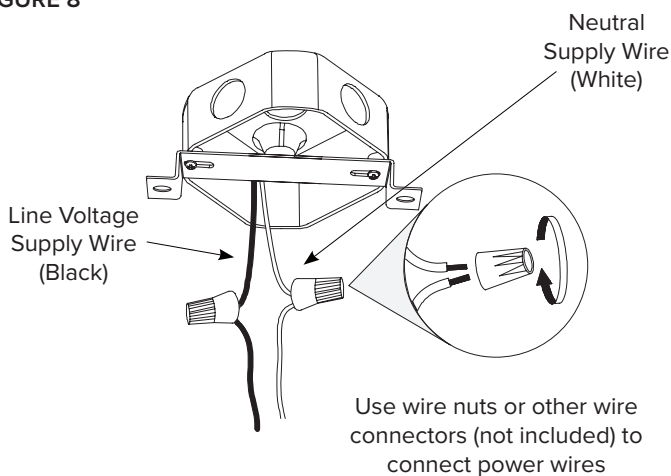
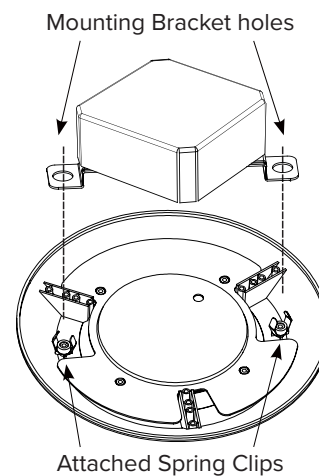


FIGURE 9



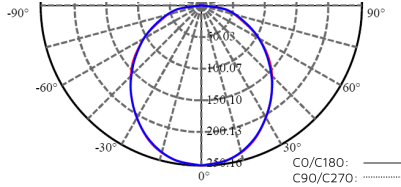
## INSTALLATION INSTRUCTIONS

### ST4-30-Series

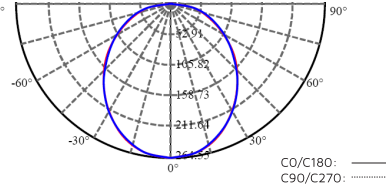


#### LIGHT DISTRIBUTION:

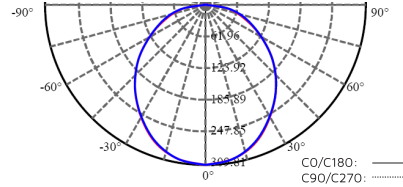
ST4-30-DB



ST4-30-NK



ST4-30-WH



#### DIMMING:

Dimmable with most standard incandescent (triac) and low-voltage electronic dimmers for 10-100% light control.

#### COMPATIBLE DIMMERS INCLUDE:

Brand	Model #
Lutron® Diva	DVCL-153P and DVW-603PH
Lutron® Skylark	SLV-600P-IV and S-600H

Not recommended for use with motion sensors, light sensors, timers or any other external controls.

This product is incompatible with Lutron Toggler TG-600 series dimmer.

#### 5-YEAR LIMITED PRODUCT WARRANTY

This product is warranted to be free from defects in material and workmanship for a period of five (5) years from the date of purchase. Products that prove to be defective during this period will be either repaired (i.e. replacement of defective electronics, defective parts of the fixture housing, lens, wiring, switching or lamp sockets; excluding the lamp) or replaced, at the discretion of American Lighting, Inc. Claims for defective products must be submitted to the retail location from which the product was purchased within the warranty period. Upon submission of proper return claim documentation and product to American Lighting, Inc. by the retailer, American Lighting, Inc. reserves the right to inspect the product for misuse or abuse. Claims for indirect or consequential damages or for product that, in American Lighting, Inc's opinion has been misused, will be denied. This is a warranty of product reliability only and not a warranty of merchantability or fitness for a particular purpose. American Lighting, Inc shall have no liability whatsoever in any event for payment of incidental or consequential damages, including, without limitations, installation costs and damages for personal injury and property. These products may represent a possible shock or fire hazard if improperly installed or altered in any way. This warranty applied only to product that has been properly installed in accordance with instruction sheet and current local codes and/or the National Electrical Code. Warranty does not apply to any product that has been improperly installed or in situation where components have been altered in any way. This warranty: (1) excludes expendable parts including but not limited to light bulbs, batteries; (2) carries a 2-year finish warranty protecting finish against tarnishing, flaking, and discolorations; (3) shall be void if this lighting fixture is not installed in the U.S.A.; and (4) does not cover any losses, labor, injuries to persons/property or costs. This warranty does give you specific legal rights and you may have other rights, which vary from state to state. Be careful, it is recommended that installation be done by a qualified professional; the purchaser has sole responsibility for proper installation in compliance with all state and local code requirements. Seller's employees are not qualified to advise you on the use of this Merchandise. Any oral representation(s) made will not be binding on seller or its employees. The rights under this limited warranty are to the original purchaser of the Merchandise and may not be transferred to any subsequent owner. This limited warranty is in lieu of all warranties, expressed or implied including warranties or merchantability and fitness for a particular purpose. Seller shall not be liable for any special, incidental, or consequential damages. The sold exclusive remedy against the seller will be for the replacement of any defects as provided herein, as long as the seller is willing or able to replace this product or is willing to refund the purchase price as provided above.

For questions/comments, technical assistance, or repair parts - Please call toll free at 1-800-285-8051 (M-F 8am-5pm), CST