

INSTALLATION INSTRUCTIONS
DMX-2-2



⚠ WARNING

These products may represent a possible shock or fire hazard if improperly installed or attached in any way. Products should be installed in accordance with these instructions, current electrical codes, and/or the current National Electric Code (NEC).

⚠ WARNING

This controller requires a 12-24V DC power supply (LED-DR series driver sold separately). Disconnect supply power at the source prior to installation.

SAFETY INFORMATION

- Read all instructions before beginning; Save these instructions for future use.
- To reduce the risk of fire, electric shock, or injury to persons, pay close attention to this manual and stay within its guidelines when using this product.
- This controller is rated IP20; avoid the sun and moisture.
- Avoid using controller in areas where extreme hot, cold, dust, or humidity exist.
- This controller is suitable for indoor, dry locations only.
- Always be sure to mount this controller in an area with proper ventilation to avoid overheating.

INSTALLING CONTROLLER (SEE FIGURES 1 & 2):

This controller requires a 12-24V DC power supply (LED-DR series driver sold separately).

This controller requires a DMX512 Signal receiver for operation (REC-DMX-5A-4Z or REC-DMX-5A-4Z-PLUS sold separately).

1. Determine desired location of controller. Cut a hole approximately 1-3/4" wide x 2-5/8" high.
2. At the base of the controller, there is a slot where the faceplate meets the mounting plate. Insert a flathead screwdriver into the slot to pop the two pieces apart.
3. Bring 12-24V DC supply power to the controller, matching polarity (See Figure 2).
4. Connect controller to DMX512 receiver, matching inputs and outputs: Ground to Ground, D- to D-, D+ to D+ (See Figure 2).
5. Set the mounting plate into the 1-3/4" x 2-5/8" cut hole.
6. Secure mounting plate to mounting surface with appropriate screws on both the top and bottom of the controller. (Controller includes two #8-32 screws for optional single-gang switch j-box mounting; j-box not included)
7. Set faceplate cover over installed mounting plate and snap into place.

FIGURE 1

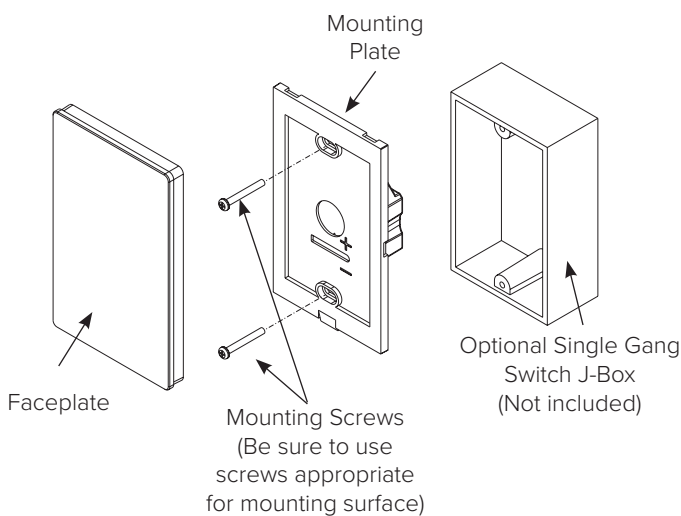
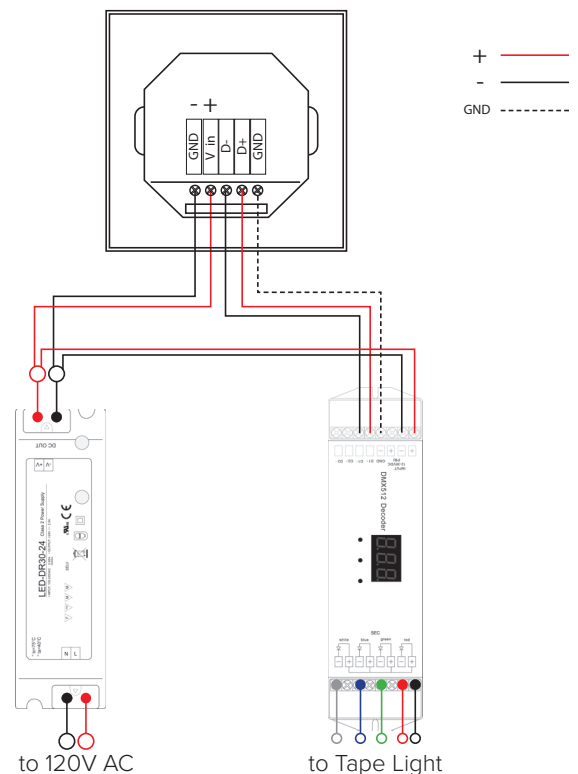


FIGURE 2



to 120V AC to Tape Light

Controllers and receivers may be powered by the same driver on the secondary side

INSTALLATION INSTRUCTIONS
DMX-2-2

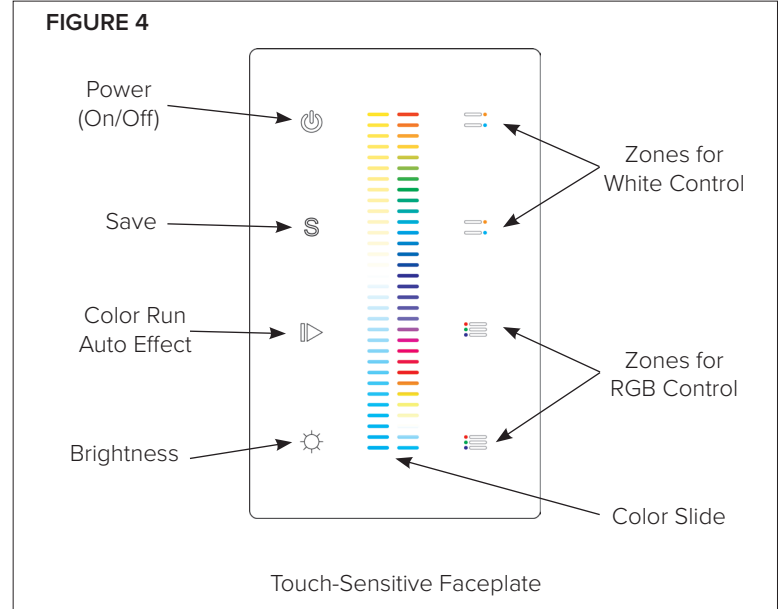


OPERATING CONTROLLER (SEE FIGURE 4):

This controller requires a 12-24V DC power supply (LED-DR series driver sold separately).

1. Touch the power icon for On/Off power control.
2. To manually adjust color setting, touch and slide the color slide for RGB+WW control.
3. To adjust brightness, touch and slide the slide dimmer for 1-100% brightness control.
4. To select a zone, touch the zone icon once. There are two zones dedicated to White control and two zones dedicated to RGB control.
5. To turn a zone On or Off, touch and hold zone icon for 2 seconds. The zone icon will turn Blue when ON and Yellow when OFF.
6. To save a scene, determine desired settings, touch and hold scene icon for 2 seconds. Memory will hold 3 scenes per zone.
7. To select a scene, touch one of the three scene icons once.

FIGURE 4



CARE AND MAINTENANCE:

1. For cleaning, use a soft, dry or damp cloth. Do not use harsh chemicals or abrasives.