

## INSTALLATION INSTRUCTIONS

TWRF-BATT, TWRF-BATT-TT



### ⚠ WARNING

These products may represent a possible shock or fire hazard if improperly installed or attached in any way. Products should be installed in accordance with these instructions, current electrical codes, and/or the current National Electric Code (NEC).

### ⚠ WARNING

This controller is battery operated and contains a CR2032 battery.

### SAFETY INFORMATION

- Read all instructions before beginning; Save these instructions for future use.
- To reduce the risk of fire, electric shock, or injury to persons, pay close attention to this manual and stay within its guidelines when using this product.
- This controller is rated IP20; avoid the sun and moisture.
- Avoid using controller in areas where extreme hot, cold, dust, or humidity exist.
- This controller is suitable for indoor, dry locations only.
- Always be sure to mount this controller in an area with proper ventilation to avoid overheating.

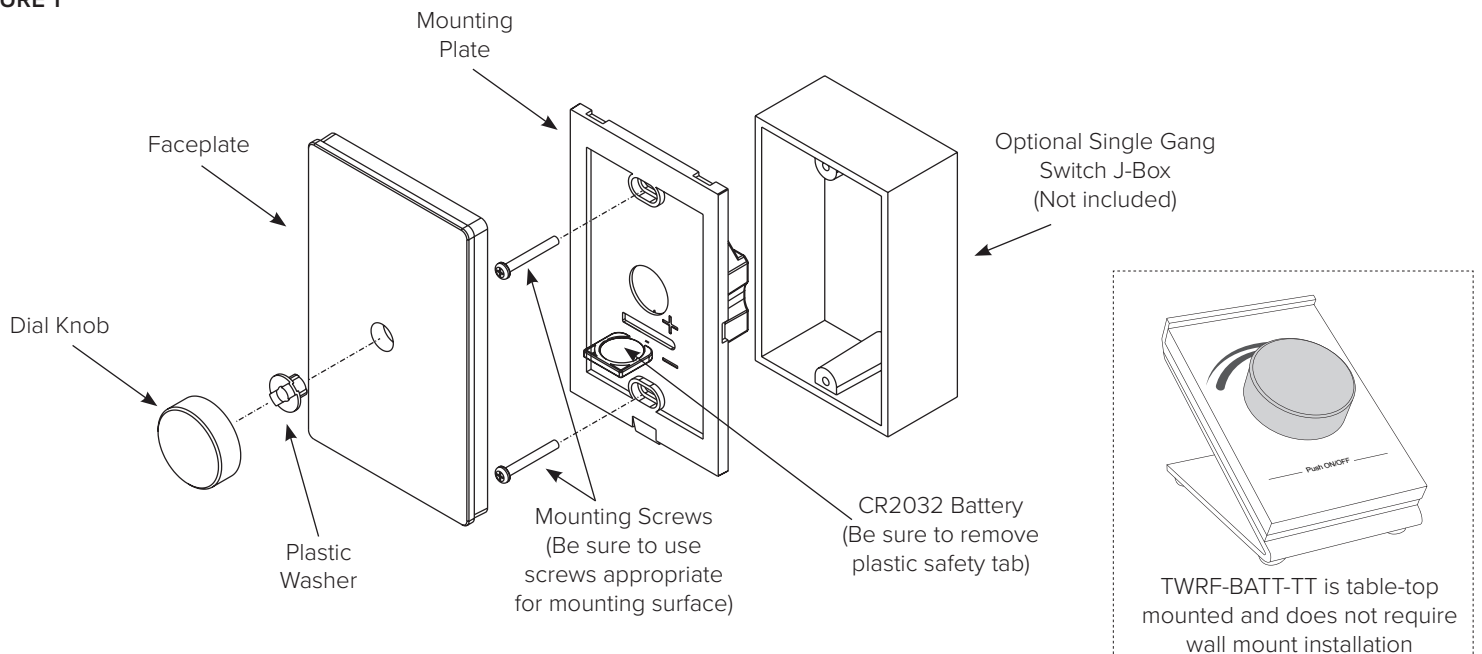
### INSTALLING CONTROLLER (SEE FIGURE 1):

This controller is battery operated and contains a CR2032 battery.

This controller requires a Radio Frequency receiver for operation (REC-5A-4Z or REC-5A-4Z-WiFi sold separately).

1. Determine desired location of controller. Cut a hole approximately 1-3/4" wide x 2-5/8" high.
2. Pull dial knob off of the front of the controller followed by the plastic washer underneath.
3. At the base of the controller, there is a slot where the faceplate meets the mounting plate. Insert a flathead screwdriver into the slot to pop the two pieces apart.
4. Set the mounting plate into the 1-3/4" x 2-5/8" cut hole.
5. Secure mounting plate to mounting surface with appropriate screws on both the top and bottom of the controller. (Controller includes two #8-32 screws for optional single-gang switch j-box mounting; j-box not included)
6. The battery is exposed once the wall mount is open. Be sure to remove the plastic safety tab to ensure operation once fixture is fully installed.
7. Set faceplate cover over installed mounting plate and snap into place.
8. Replace the plastic washer followed by the dial knob on front of faceplate.

FIGURE 1



## INSTALLATION INSTRUCTIONS

TWRF-BATT, TWRF-BATT-TT

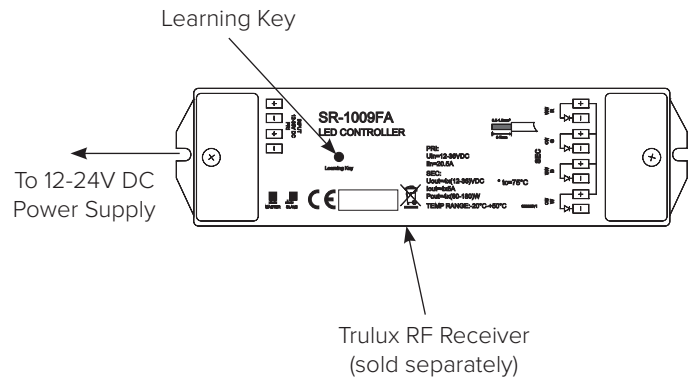


### SYNCING CONTROLLER TO RECEIVER (SEE FIGURES 2 & 3):

This controller requires a Radio Frequency receiver for operation (REC-5A-4Z or REC-5A-4Z-WiFi sold separately).

1. Press the dial knob on the controller once to turn on power to the controller.
2. Press the “Learning Key” on the receiver.
3. Turn the dial knob on the controller to activate controller.
4. Once successfully synced, the connected light source will blink.
5. Repeat steps 2-3 when syncing multiple receivers to a single controller.
6. Press and hold the “Learning Key” to clear out saved sync data when wanting to reset scenes or zones.

FIGURE 2



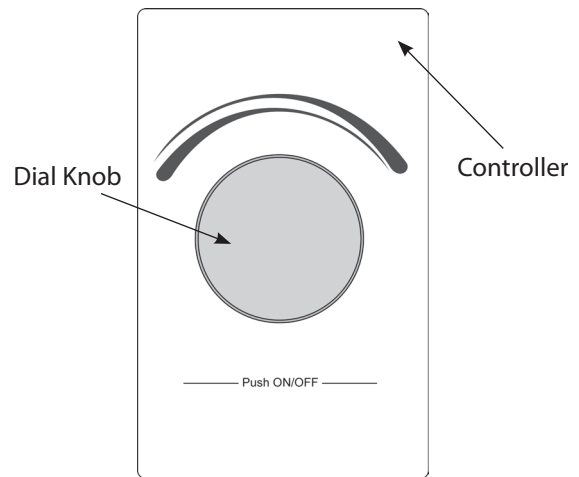
RF Controller “talks” to the receiver via a wireless Radio Frequency (RF) signal

### OPERATING CONTROLLER (SEE FIGURE 3):

This controller is battery operated and contains a CR2032 battery.

1. Press the dial knob once for On/Off power control.
2. Turn the dial knob clockwise to increase brightness.
3. Turn the dial knob counter-clockwise to decrease brightness.
4. Double push the dial knob for color temperature selection.
5. Turn the dial knob clockwise to select increasingly warmer color temperatures.
6. Turn the dial knob counter-clockwise to select increasingly cooler color temperatures.

FIGURE 3



### CARE AND MAINTENANCE:

1. For cleaning, use a soft, dry or damp cloth. Do not use harsh chemicals or abrasives.
2. This controller is battery operated and includes a CR2032 battery. If swallowed, it could cause severe injury or death. Seek medical attention immediately. Non-rechargeable batteries are not to be recharged. Remove exhausted batteries from the product; Please dispose of batteries properly. Do not dispose of batteries in fire; Batteries may explode or leak.