

# LED CANTILEVER WALL MOUNT



Installation instructions for WM-C5, WM-C10, & WM-C15 Series

READ ALL OF THESE INSTALLATION INSTRUCTIONS BEFORE INSTALLING THE FIXTURE. FAILURE TO FOLLOW INSTALLATION INSTRUCTIONS AND ALL APPLICABLE ELECTRICAL CODES WILL VOID THE PRODUCT WARRANTY.

## WARNING:

These products may represent a possible shock or fire hazard if improperly installed or attached in any way. Products should be installed in accordance with these instructions, current electrical codes and/or the current National Electric Code (NEC).

## WARNING:

Disconnect supply power from the source prior to installation. This product must be installed by a person familiar with the construction and operation of the product and the hazards involved, and in accordance with current electrical codes and/or the current National Electric Code (NEC). Consult a local licensed electrician if you are not sure about the installation. To reduce potential of electric shock, fixture must be grounded. The electrical input of this product is 120-277V AC. The installer must determine whether power supply in in the range of 120-277V AC at the luminaire before installation.

Do not mount or support these fixtures in a manner that can cut the outer jacket or damage the wire insulations. Do not restrict fixture ventilation. Do not cover fixtures with insulation or any material that will impede air flow around and heat dissipation of the fixtures.

## APPLICATION / USE:

This product is suitable for use in wet locations and designed for surface mounting only. This fixture is suitable for installation where ambient temperatures do not exceed 95°F (35°C) during anticipated hours of fixture operation.

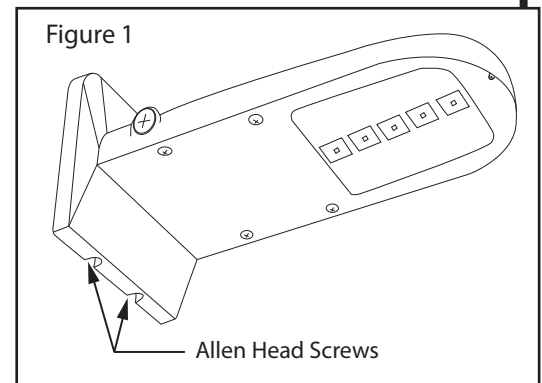
## INSTALLATION:

Disconnect supply power from the source prior to installation.

**WARNING:** This fixture must be mounted in the LENS DOWN position.

Installation requires T15 Security Torx Bit (C5, C10) or T25 Security Torx Bit (C15)

1. Remove old fixture if applicable.
2. Remove the rear mounting plate by loosening 2 allen head screws from bottom of the plate on the rear of the fixture. (Figure 1)
3. Fasten the mounting plate to recessed outlet box while leveling the mounting plate by the level bubble to the horizontal line.
4. Splice leads from back of fixture to the power supply leads. Connect the black fixture lead to the black supply lead. Connect the white fixture lead to white supply lead. Connect grounding fixture lead to supply grounding lead and push splices into outlet box.
5. Care should be taken when mounting fixture not to pinch the wire leads. Align the fixture against the mounting plate.
6. Hang the fixture to the top of the plate and then secure the fixture by tightening the 2 allen head screws to lock the mounting plate.



## IMPORTANT:

To weather-proof your outdoor installation, seal around rear housing and mounting surface.

## ADDITIONAL SAFETY MEASURES:

1. LEDs are not serviceable. Do not attempt to open the fixture or LED compartment.
2. LEDs are bright. Do not look directly into fixture.
3. Not intended for recess mounting in any type of installation.
4. Do not use with wall dimmers or in dimming circuits.

Note: These instructions do not cover all details or variations in equipment nor do they provide for every possible situation during installation, operation or maintenance.