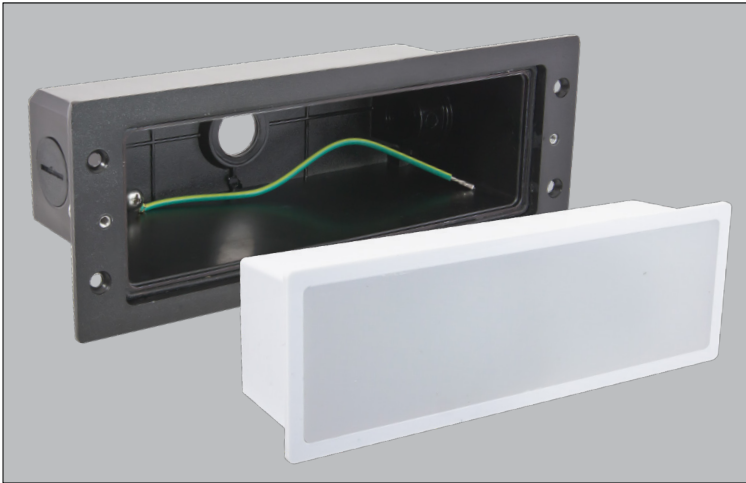


PROJECT:  TYPE:

LOCATION:  CAT:



Horizontal Louver



Horizontal Scoop

DARK BRONZE - STAINLESS STEEL - WHITE

### Description

Line voltage (120-277V) or low voltage (12V) versions of the classic brick light with Warm White LEDs available in two styles and three finishes.

### Features

- Sturdy plastic, fully sealed light module with built-in driver for AC input
- Die-cast zinc magnesium rough-in housing with durable painted finish and three 1/2" NPS knockouts with plugs has integrated rubber gasket, threaded knockouts and built-in ground wire (sold separately)
- Six faceplate options are available (sold separately); each includes an Allen/hex wrench and tamper proof screws for mounting, and matching screw covers for a finished look.
- Durable cast zinc-magnesium faceplate with powder coated painted finish for White and Dark Bronze finishes, plated for Brushed Steel
- cULus Listed, wet location
- 50,000 hours rated life

### Mounting

Recessed mount via rough-in box (sold separately)

### Applications

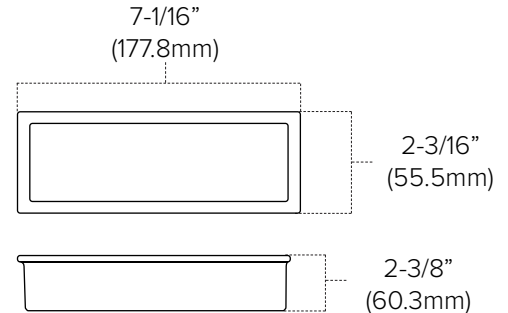
Architectural lighting, stairs, gardens, sidewalk paths



## Technical Information

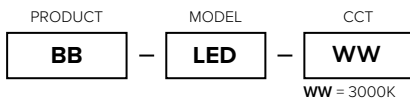
Voltage	120-277V AC, 60Hz	12V DC (Built-in driver for AC input)
CCT	3000K	3000K
Wattage	3W	
Lumens	Varies depending on face plate	
CRI/nm	70+ CRI	
Dimming	N/A	
Rating	cULus Listed; Wet locations	
Rated Life	50,000 Hours	

### Dimensions (LED Light engine only)

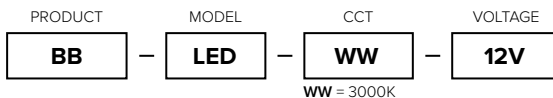


## Ordering Information

**120-277V, 60Hz AC LED Brick Light**



**12V DC LED Brick Light**



### LED Brick Lights Include:

(1) LED Brick Light Engine

Requires Brick Light faceplate and Rough-in Housing (sold separately; see accessories on next page)

Example Part # **BB-LED-WW-12V**





## Accessories

Image	Part Number	Description
	BB-HSG	Brick Light Rough-In Housing; 8-1/2"W x 3-1/8"H x 3-1/8"D
	BB-HL-WH	Horizontal Louver Faceplate in White finish for LED Brick Light; cast zinc magnesium; 8-5/8"W x 3-1/4"H x 3/8"D
	BB-HL-SS	Horizontal Louver Faceplate in Stainless Steel finish for LED Brick Light; cast zinc magnesium; 8-5/8"W x 3-1/4"H x 3/8"D
	BB-HL-DB	Horizontal Louver Faceplate in Dark Bronze finish for LED Brick Light; cast zinc magnesium; 8-5/8"W x 3-1/4"H x 3/8"D
	BB-HH-WH	Horizontal Scoop Faceplate in White finish for LED Brick Light; cast zinc magnesium; 8-5/8"W x 3-1/4"H x 1-1/8"D
	BB-HH-SS	Horizontal Scoop Faceplate in Stainless Steel finish for LED Brick Light; cast zinc magnesium; 8-5/8"W x 3-1/4"H x 1-1/8"D
	BB-HH-DB	Horizontal Scoop Faceplate in Dark Bronze finish for LED Brick Light; cast zinc magnesium; 8-5/8"W x 3-1/4"H x 1-1/8"D

## Additional Information

Model	Cut-out Size	Location
BB-HSG	7-1/4" (184mm) x 2-1/2" (63.5mm)	Wet location

## NOTES

---



---



---



---



---