

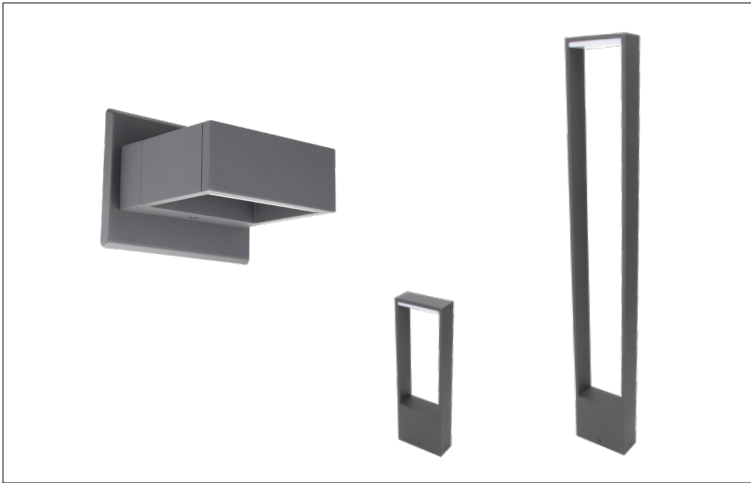


PROJECT:

TYPE:

LOCATION:

CAT:



Graphite

Description

FrameWRX Stage series of exterior lights including sconce, bollard, and path light.

Features

- Sconce, Bollard, or Path light
- Painted aluminum body with diffuse polycarbonate lens
- Class I
- cETLus Listed for wet locations

Mounting

Surface Mount

Applications

Architectural and Security Lighting; Residential or light commercial

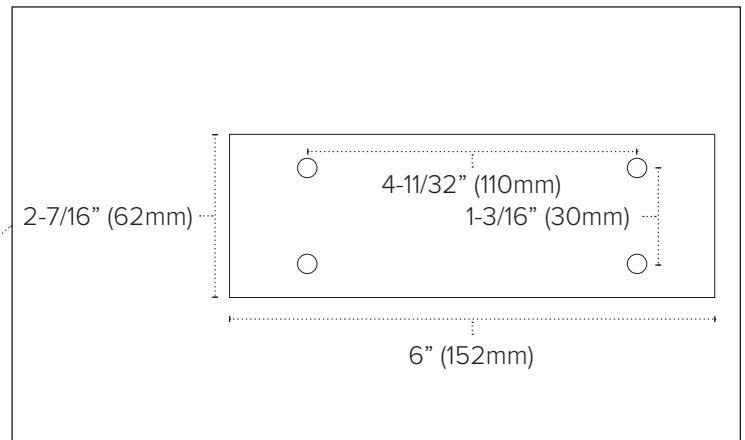
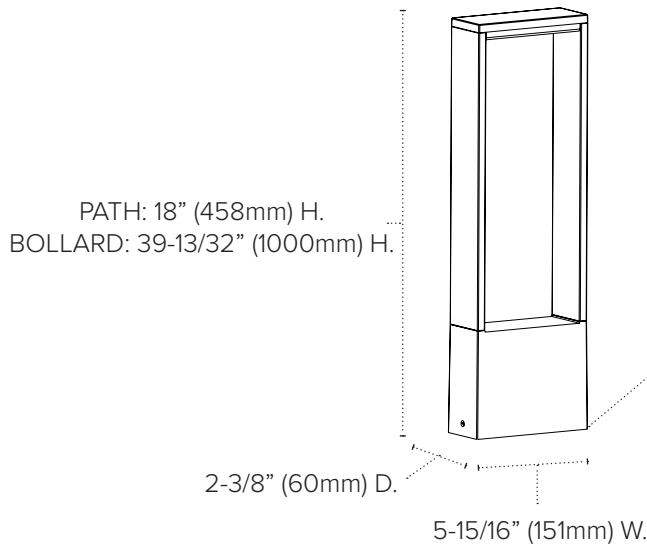
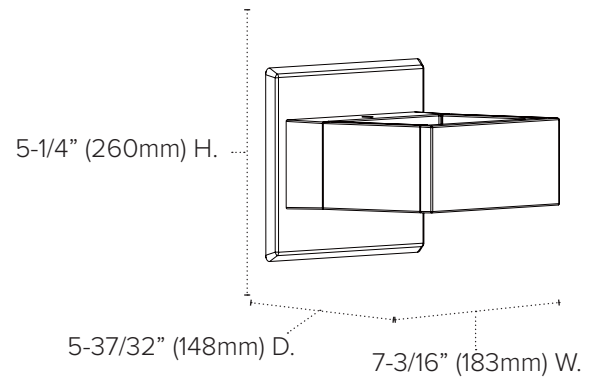
Warranty

3 years

Technical Information



Model	SCO-STAGE	BOL-STAGE	PATH-STAGE
Type	Sconce	Bollard	Path
Voltage	120-240V AC	120-277V AC	12V AC
CCT	3000K		
CRI	90+		
Wattage	7.5W	10W	10W
Lumens	up to 240lm	up to 450lm	up to 450lm
Beam Angle	120°	120°	120°
Dimming	N/A		
Rating	cETLus, wet locations		
Rated Life	30,000 Hours		





Ordering Information



FrameWRX Exterior Stage Sconce Includes:

(1) Stage LED Sconce Fixture
Mounting Hardware

FrameWRX Exterior Stage Bollard Includes:

(1) Stage LED Bollard Fixture
Mounting Hardware

FrameWRX Exterior Stage Path Light Includes:

(1) Stage LED Path Light Fixture
Mounting Hardware


Example Part # **SCO-STAGE-GT**



Recommended Power Supplies (12V AC Path Lights Only)

Part Number	Description	Finish	Primary & Secondary	Total Wattage	Listing	Dimensions
LED-TR-30-12	12V DC - 30W Magnetic Transformer	Black	120V AC / 12V AC	30W (40% minimum)	cETLus Listed; Nema 3R - Indoor and outdoor	6"L x 3-1/8"W x 1-1/2"H
LED-TR-60-12	12V DC - 60W Magnetic Transformer	Black	120V AC / 12V AC	60W (40% minimum)	cETLus Listed; Nema 3R - Indoor and outdoor	9-1/4"L x 3"W x 3"H
LED-TR-100-12	12V DC - 100W Magnetic Transformer	Black	120V AC / 12V AC	100W (40% minimum)	cETLus Listed; Nema 3R - Indoor and outdoor	9-1/2"L x 4"W x 4"H
LED-TR-150-12	12V DC - 150W Magnetic Transformer	Black	120V AC / 12V AC	150W (40% minimum)	cETLus Listed; Nema 3R - Indoor and outdoor	9-1/2"L x 4"W x 4"H

Accessories

Image	Part Number	Description
	PATH-SMS	Path light soil mounting stake; 20-1/2"H with 8" x 6-3/4" mounting plate and grid support

Additional Information

For a rain-tight seal, apply silicone caulking around the perimeter of the housing where it contacts the mounting surface

NOTES
