

HP SERIES DOWNLIGHT

2" Performance Downlights

The HP series features quality, convenience, and performance for easy installation in new construction or remodel applications. Available in two lumen performance options with five selectable color temperature settings and 90+ CRI. For finishes, the HP series includes both a white and alzak quick change multiplier for easy customization on the go. Optional pinhole and shower trim lenses available for even greater design options.

- Excellent color rendering (90+ CRI)
- Five Selectable color temperatures: 2700K / 3000K / 3500K / 4000K / 5000K
- Lumen output up to 850 Lumens
- Dimmable with most TRIAC or ELV dimmers
- Includes easy to change White and Alzak multiplier finishes for quick customization
- Remote driver with hardwire junction box
- Type IC and cETLus Listed for wet locations
- ENERGY STAR certified, JA8 Compliant
- 50,000 hours rated life

PROJECT:
TYPE:
LOCATION:
CATALOG NUMBER:



HP 2



HPX 2



HP SERIES QUICK SPECS	
VOLTAGE	120V AC, 60Hz
WATTAGE	8W / 12W
LUMENS	550Lm / 850Lm
CCT OPTIONS	5CCT 2700K / 3000K / 3500K / 4000K / 5000K
CRI	90+
DIMMING	TRIAC / ELV (10 - 100%)
MOUNTING	Recessed Mount
BEAM ANGLE	38°
OPERATING TEMP	-25°C (-13°F) to 40°C (104°F)
CERTIFICATIONS	cETLus Listed; Type IC; Suitable for wet locations
RATED LIFE	50,000 Hours

HP SERIES ORDERING INFORMATION

ITEM NUMBER	DESCRIPTION	FINISH	VOLTAGE	CCT	CRI	LUMENS	WATTAGE	DIMMING
HP2-5CCT-WH	HP 2	White	120V	5-CCT	90+	550Lm	8W	TRIAC / ELV
HPX2H-5CCT-WH	HPX 2	White	120V	5-CCT	90+	850Lm	12W	TRIAC / ELV

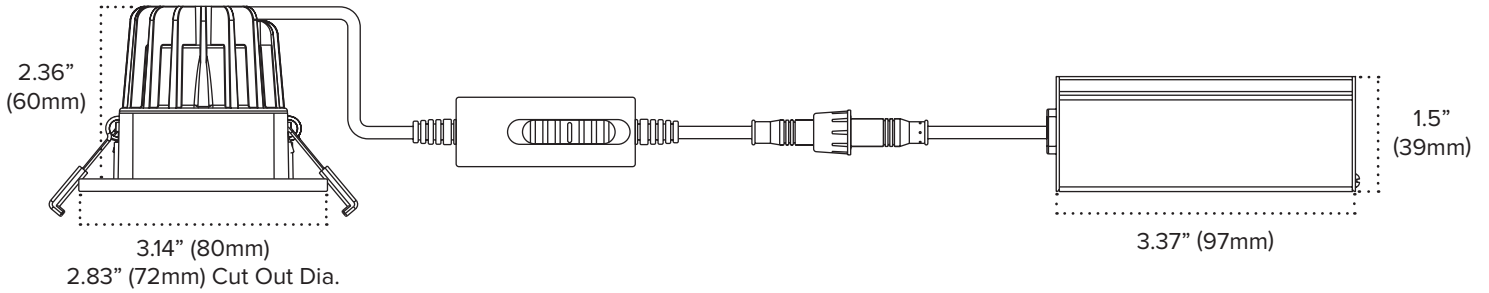
HP ACCESSORIES

ITEM NUMBER	DESCRIPTION
HPS-TRIM-PIN	HP Series Pin Hole Trim - 29.5° beam angle
HPS-TRIM-SHWR	HP Series Shower Trim Lens - 42.7° beam angle
RP-2/4/6	2" New Construction Rough-in Plate with Hanger Bars

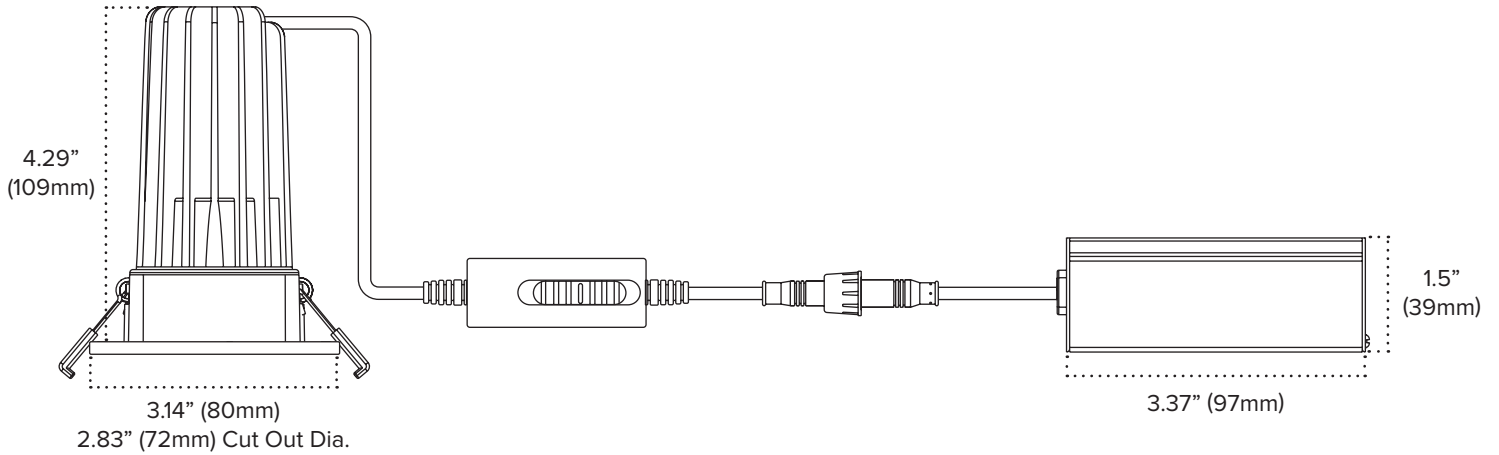


HP SERIES QUICK DIMENSIONS

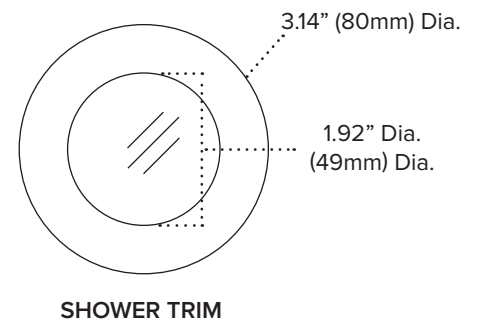
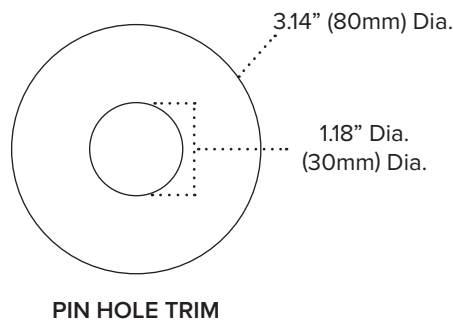
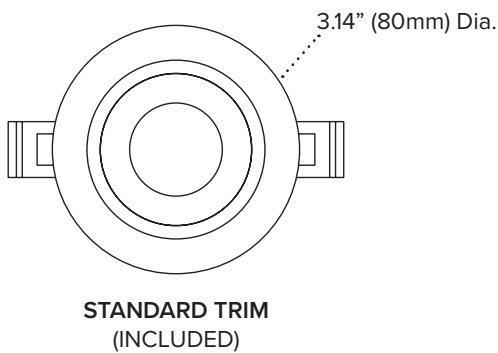
HP2-5CCT



HPX2-5CCT



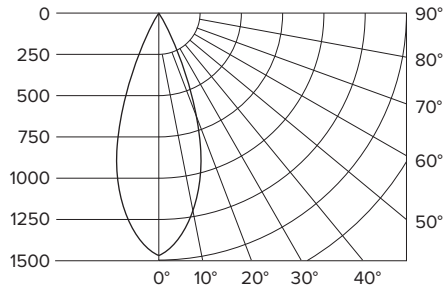
HP SERIES ACCESSORIES



HP SERIES PHOTOMETRICS

HP2

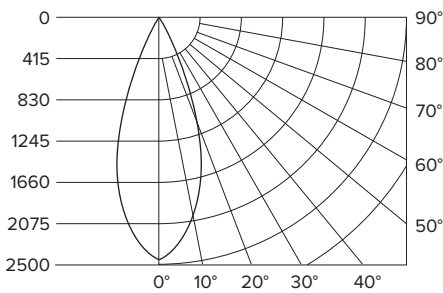
PART NUMBER	HP2-5CCT-WH
BEAM SPREAD	34.9°
LUMENS	571.51 Lm
WATTAGE	8W
EFFICACY	69.12 Lm/W
CCT	2700K/3000K/3500K/4000K/5000K
CRI	93.5



Foot Candles	Distance From Light	Beam Dia.
90.2	4'	2.5'
40.1	6'	3.8'
22.5	8'	5.0'
14.4	10'	6.3'
10.0	12'	7.5'
7.4	14'	8.8'

HPX2

PART NUMBER	HPX2H-5CCT-WH
BEAM SPREAD	35.6°
LUMENS	1022.3 Lm
WATTAGE	14.3W
EFFICACY	71.3 Lm/W
CCT	2700K/3000K/3500K/4000K/5000K
CRI	92.6



Foot Candles	Distance From Light	Beam Dia.
154.7	4'	2.6'
68.8	6'	3.8'
38.7	8'	5.1'
24.8	10'	6.4'
17.2	12'	7.7'
12.6	14'	9.0'

HP SERIES RECOMMENDED DIMMERS

BRAND	MODEL #	TYPE	DIMMING RANGE
COOPER	S106P	MLV	0% - 97%
LUTRON	CTCL-153P	TRIAC	0% - 93%
LUTRON	DV-600P	TRIAC	0% - 94%
LEVITON	DSL06-1LZ	MLV	2% - 94%
LEVITON	6672	ELV	2% - 98%
LEVITON	IPL06-10Z	MLV	3% - 94%
LUTRON	DVCL-153P	TRIAC	3% - 93%
LUTRON	PD-6WCL	ELV	3% - 92%

Dimmer performance may vary in field application due to unknown external factors. Dimmers not included on the chart above are not necessarily incompatible; they have yet to be fully evaluated. Please reference dimmer manufacturer's instructions for more detailed information regarding performance and compatibility. Test data listed above is based on single lamp data.