

PROJECT: TYPE:

LOCATION: CAT:



White



Dark Bronze

Description

Versatile, dimmable, and affordable 4" LED Advantage recessed downlights are available in white with either a static lens or a swivel (gimbal) version. These housings are compatible with most 4" recessed cans.

Features

- Durable and glare-free frosted polycarbonate lens
- Easy installation with torsion clips
- Includes standard E26 socket connection
- cETLus Listed and ENERGY STAR Certified

Mounting

AD4 Retrofit: Torsion clips fit most 4" Type IC rated cans (requires 2-7/8" clearance) with E26 sockets; compatible with AL4-ICAT (sold separately)

AD4S Retrofit: Torsion clips fit most 4" Type IC rated cans (requires 2-9/16" clearance) with E26 sockets; compatible with AL4-ICAT (sold separately)

Applications

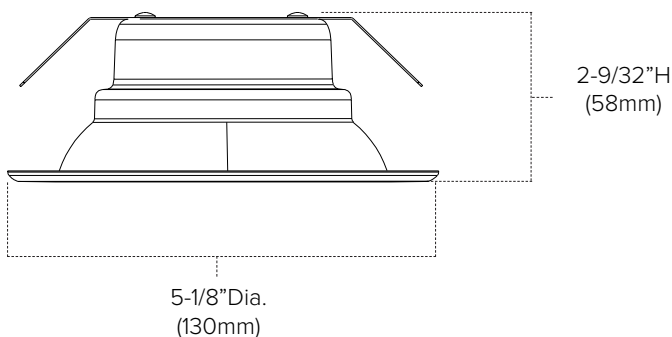
General Lighting LED Retrofit

Technical Information

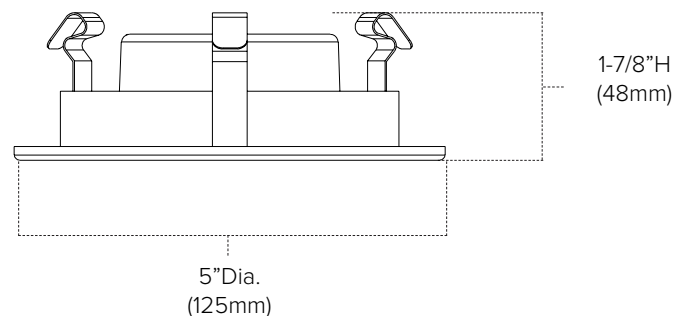


Voltage	120V AC, 60Hz			
CCT	3000K			
Series	AD4-30-WH	AD4-B30-WH	AD4-30-DB	AD4S-30-WH
Finish	White		Dark Bronze	White
Inset	Smooth	Baffle	Smooth	Adjustable Swivel; Smooth
Lumens	600	660	630	500
Wattage	10	10.5	10.5	8
CRI	90+			
Connection	E26 Edison			E26 Edison
Beam Angle	85°	84°	83°	91°
Dimming	10-100% with most standard TRIAC dimmers			
Rating	ENERGY STAR; cETLus Listed; Wet location			ENERGY STAR; cETLus Listed; Damp location
Rated Life	50,000 Hours			

AD4

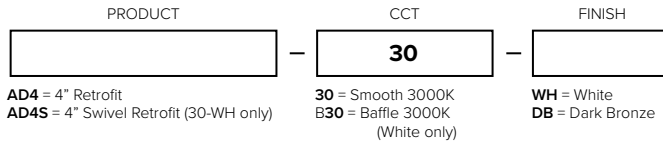


AD4S



Ordering Information

120V AC, 60Hz Retrofit



AD4 Retrofit Downlights Include:

- (1) 4" Retrofit downlight with standard E26 Edison socket connection and torsion clips to fit most standard 4" housings

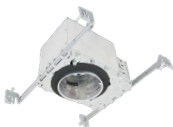
AD4S Retrofit Downlights Include:

- (1) 4" Retrofit swivel downlight with standard E26 Edison socket connection and torsion clips to fit most standard 4" housings

Example Part # **AD4-30-WH**



Accessories

Image	Part Number	Description
	AL4-ICAT	4" Universal Airtight Type IC rated recessed housing; 120V AC, 60Hz; 50W Max (non-LED); cETLus Listed; New construction only

Compatible Dimmers

Brand	Model #	Type	Dimming Range	Notes
Lutron® Diva	DVCL-153P	Universal (CFL/LED/Incandescent)	10-100%	
Lutron® Toggler	TGCL-153PH	Universal (CFL/LED/Incandescent)	10-100%	
Lutron® Skylark	SELV-300P	Electronic Low-Voltage (ELV)	10-100%	
Lutron® Diva	DV-600P	Incandescent	10-100%	
Leviton® Sureslide	6674	Universal (CFL/LED/Incandescent)	10-100%	

Minimum loads may apply. Dimmer performance may vary in field application due to unknown external factors. Dimmers not included on the chart above are not necessarily incompatible; they have yet to be fully evaluated. Please reference dimmer manufacturer's instructions for more detailed information regarding performance and compatibility.

Additional Information

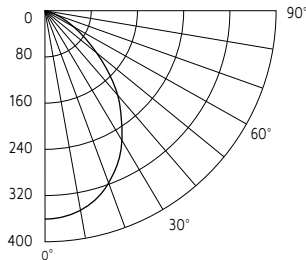
Minimum Height Requirements

Model	Minimum Height Requirement	Location
AD4-30-WH	2-7/8" (73mm)	Dry, damp, or wet location
AD4S-30-WH	2-9/16" (65mm)	Dry or damp location

Photometrics

PHOTOMETRIC DATA: AD4-30-WH

Photometric Diagram



AD4-30-WH Summary

Test voltage:	120.03V
Luminous flux:	633.2Lm
Input power:	9.8W
Luminous efficacy:	64.61
Power factor:	0.756
Maximum intensity:	368.2cd
Beam angle:	85.4°
Spacing criteria:	0.64

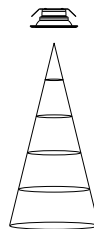
Zonal Lumen Summary

Zone	Lumens	%Fixture
0-30°	237.4	38.4
0-40°	367.6	59.7
0-60°	568.8	90.1
0-90°	633.2	100.0
90-180°	0	0.0
0-180°	633.2	100.0

Candela Distribution

Angle	Average Candelas
0°	389
10°	376
20°	340
30°	284
40°	216
50°	140
60°	75
70°	31
80°	13
90°	0

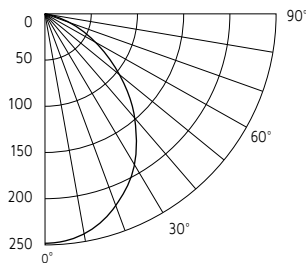
Initial Footcandles



Distance to Illuminated Plane	Footcandles (at beam center)	Beam Diameter (feet)
6 feet	10.2	11.1
7 feet	7.5	12.9
8 feet	5.8	14.8
9 feet	4.5	16.6
10 feet	3.7	18.5

PHOTOMETRIC DATA: AD4S-30-WH

Photometric Diagram



AD4S-30-WH Summary

Test voltage:	120.03V
Luminous flux:	544.4Lm
Input power:	7.6W
Luminous efficacy:	64.66
Power factor:	0.780
Maximum intensity:	249.4cd
Beam angle:	91.8°
Spacing criteria:	0.55

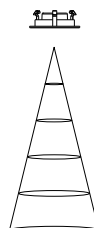
Zonal Lumen Summary

Zone	Lumens	%Fixture
0-30°	186.4	34.2
0-40°	294.3	54.0
0-60°	469.8	86.3
0-90°	544.4	100.0
90-180°	0	0.0
0-180°	544.4	100.0

Candela Distribution

Angle	Average Candelas
0°	249
10°	243
20°	224
30°	193
40°	151
50°	106
60°	66
70°	32
80°	10
90°	0

Initial Footcandles



Distance to Illuminated Plane	Footcandles (at beam center)	Beam Diameter (feet)
2 feet	10.2	4.1
4 feet	7.5	8.3
6 feet	5.8	12.4
8 feet	4.5	16.5
10 feet	3.7	20.6