

PROJECT: TYPE:

LOCATION: CAT:



Description

Versatile, dimmable, and affordable LED Advantage recessed downlights are available in white with either a static lens for 5" and 6" cans (also available as Title 24 compliant model) or a swivel (gimbal) version (for 6" recessed cans only).

Features

- Durable and glare-free frosted polycarbonate lens
- Easy installation with spring loaded torsion clips
- Includes standard E26 socket connection (CD56 includes GU-24 connection)
- cETLus Listed and ENERGY STAR Certified

Mounting

AD56 Retrofit: Adjustable spring loaded torsion clips fit most 5" or 6" Type IC rated cans (requires 3-5/16" clearance) with E26 sockets

AD6S Retrofit: Spring loaded torsion clips fit most 6" Type IC rated cans (requires 2-7/8" clearance) with E26 sockets

CD56 Retrofit: Adjustable spring loaded torsion clips fit most 5" or 6" Type IC rated cans (requires 3-5/16" clearance) with GU-24 sockets

Applications

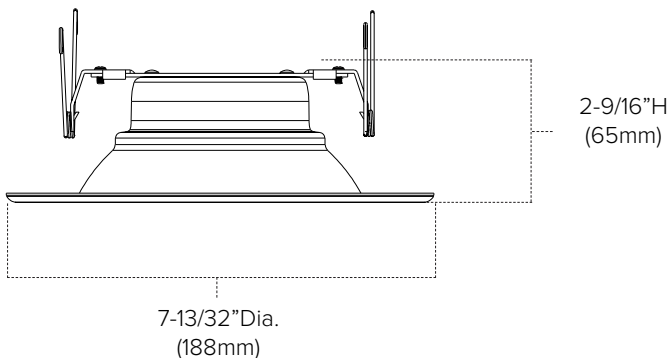
General Lighting LED Retrofit



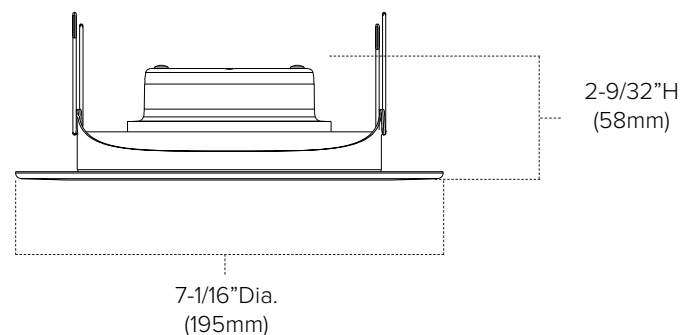
Technical Information

Voltage	120V AC, 60Hz								
CCT	2700K		3000K			2700K		3000K	
Series	AD56-27-WH	AD56-30-WH	AD56-30-DB	AD56-B30-WH	AD56-B30-DB	AD6S-27-WH	AD6S-30-WH	CD56-30-WH	
Finish	White	White	Dark Bronze	White	Dark Bronze	White	White	White	
Inset	Smooth			Baffle		Adjustable Swivel; Baffle		Smooth	
Lumens	925	900	900	930	903	905	800	900	
Wattage	15.2	15	15	15.05	15.05	15.07	12	15	
CRI	90+								
Connection	E26 Edison							GU-24	
Beam Angle	88°	86°	87°	88°	87°	91°	90°	87°	
Dimming	10-100% with most standard TRIAC dimmers								
Rating	ENERGY STAR; cETLus Listed; Wet location					ENERGY STAR; cETLus Listed; Damp location		ENERGY STAR; cETLus Listed; Wet location; Title 24	
Rated Life	50,000 Hours								

AD56 and CD56



AD6S



Ordering Information

5/6" AD56 120V AC, 60Hz Retrofit

PRODUCT	CCT	FINISH
AD56	30	
	27 = Smooth 2700K (White finish only) 30 = Smooth 3000K B30 = Baffle 3000K	WH = White DB = Dark Bronze

AD56 Retrofit Downlights Include:

(1) 5/6" Retrofit downlight with standard E26 Edison socket connection and adjustable spring loaded torsion clips to fit most standard 5" or 6" housings

AD6S Retrofit Downlights Include:

(1) 6" Retrofit swivel downlight with standard E26 Edison socket connection and spring loaded torsion clips to fit most standard 6" housings

CD56 Retrofit Downlights Include:

(1) 5/6" Retrofit downlight with GU-24 connection and spring loaded torsion clips to fit most standard 5" or 6" housings

6" AD6S 120V AC, 60Hz Swivel Retrofit

PRODUCT	CCT	FINISH
AD6S		WH
	27 = Smooth 2700K 30 = Smooth 3000K	WH = White

5/6" CD56 120V AC, 60Hz Title 24 Retrofit

PRODUCT	CCT	FINISH
CD56	30	WH
	30 = Smooth 3000K	WH = White

Example Part # **AD56-30-WH**

AD56	-	30	-	WH
-------------	---	-----------	---	-----------

Compatible Dimmers

Brand	Model #	Type	Dimming Range	Notes
Lutron® Diva	DVCL-153P	Universal (CFL/LED/Incandescent)	10-100%	
Lutron® Toggler	TGCL-153PH	Universal (CFL/LED/Incandescent)	10-100%	
Lutron® Skylark	SELV-300P	Electronic Low-Voltage (ELV)	10-100%	
Lutron® Diva	DV-600P	Incandescent	10-100%	
Leviton® Sureslide	6674	Universal (CFL/LED/Incandescent)	10-100%	

Minimum loads may apply. Dimmer performance may vary in field application due to unknown external factors. Dimmers not included on the chart above are not necessarily incompatible; they have yet to be fully evaluated. Please reference dimmer manufacturer's instructions for more detailed information regarding performance and compatibility.

Additional Information

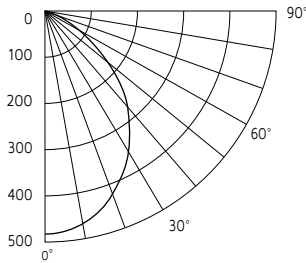
Minimum Height Requirements

Model	Minimum Height Requirement	Location
AD56	3-15/16" (80mm)	Dry, damp, or wet location
AD6S	2-7/8" (73mm)	Dry or damp location
CD56	3-15/16" (80mm)	Dry, damp, or wet location

Photometrics

PHOTOMETRIC DATA: AD56-30-WH

Photometric Diagram



AD56-30-WH Summary

Test voltage:	120.00V
Luminous flux:	926.3Lm
Input power:	14.41W
Luminous efficacy:	64.28
Power factor:	0.785
Maximum intensity:	478.2cd
Beam angle:	86.4°
Spacing criteria:	0.93

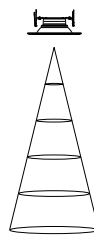
Zonal Lumen Summary

Zone	Lumens	%Fixture
0-30°	346.7	37.4
0-40°	539.6	58.3
0-60°	833.6	90.0
0-90°	926.3	100.0
90-180°	0	0.0
0-180°	926.3	100.0

Candela Distribution

Angle	Average Candelas
0°	478
5°	475
15°	444
25°	385
35°	308
45°	227
55°	134
65°	60
75°	20
85°	9

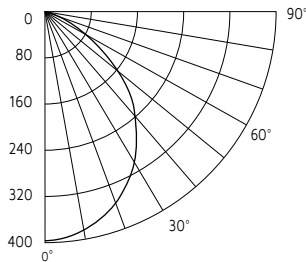
Initial Footcandles



Distance to Illuminated Plane	Footcandles (at beam center)	Beam Diameter (feet)
6 feet	13.3	11.3
7 feet	9.8	13.1
8 feet	7.5	15.0
9 feet	5.9	16.9
10 feet	4.8	18.8

PHOTOMETRIC DATA: AD6S-30-WH

Photometric Diagram



AD6S-30-WH Summary

Test voltage:	120.04V
Luminous flux:	835.9Lm
Input power:	11.84W
Luminous efficacy:	63.52
Power factor:	0.777
Maximum intensity:	395.3cd
Beam angle:	91.0°
Spacing criteria:	0.84

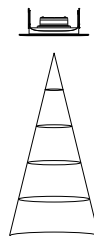
Zonal Lumen Summary

Zone	Lumens	%Fixture
0-30°	294.8	35.3
0-40°	467.0	55.9
0-60°	742.6	88.8
0-90°	835.9	100.0
90-180°	0	0.0
0-180°	835.9	100.0

Candela Distribution

Angle	Average Candelas
0°	395
5°	392
15°	372
25°	332
35°	275
45°	205
55°	130
65°	63
75°	19
85°	8

Initial Footcandles

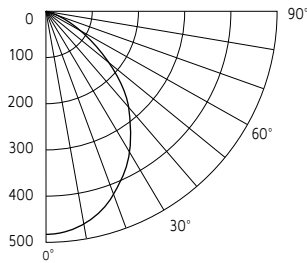


Distance to Illuminated Plane	Footcandles (at beam center)	Beam Diameter (feet)
2 feet	98.8	4.1
4 feet	24.7	8.1
6 feet	11.0	12.2
8 feet	6.2	16.3
10 feet	4.0	20.4

Photometrics Continued...

PHOTOMETRIC DATA: CD56-30-WH

Photometric Diagram



CD56-30-WH Summary

Test voltage:	120.05V
Luminous flux:	918.5Lm
Input power:	14.86W
Luminous efficacy:	61.81
Power factor:	0.900
Maximum intensity:	471.3cd
Beam angle:	87.1°
Spacing criteria:	0.92

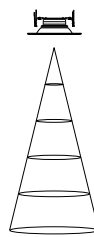
Zonal Lumen Summary

Zone	Lumens	%Fixture
0-30°	340.3	37.1
0-40°	530.2	57.7
0-60°	820.9	89.4
0-90°	918.5	100.0
90-180°	0	0.0
0-180°	918.5	100.0

Candela Distribution

Angle	Average Candelas
0°	471
5°	467
15°	434
25°	377
35°	303
45°	221
55°	134
65°	62
75°	22
85°	10

Initial Footcandles



Distance to Illuminated Plane	Footcandles (at beam center)	Beam Diameter (feet)
6 feet	13.1	11.4
7 feet	9.6	13.3
8 feet	7.4	15.2
9 feet	5.8	17.1
10 feet	4.7	19.0