

12V or
24V DC

LED-DR150 Constant Voltage Driver

PROJECT: TYPE:

LOCATION: CAT:



Description

Constant voltage + constant current driver in either 12V DC or 24V DC outputs

Features

- 12V or 24V DC constant voltage hardwire driver; 150W capacity
- Non-dimmable on primary side; Utilize secondary side for Trulux™ controls or PWM dimming
- Protections: Over Current / Short Circuit / Over Voltage / Over Temperature
- Metal housing with Class I design (Type HL)
- Input via 10" 18AWG SJTW conductors
- Output via 10" 14AWG SJTW conductors

Mounting

Set upon flat surface or house in an enclosure

Applications

Suitable for LED lighting

Warranty

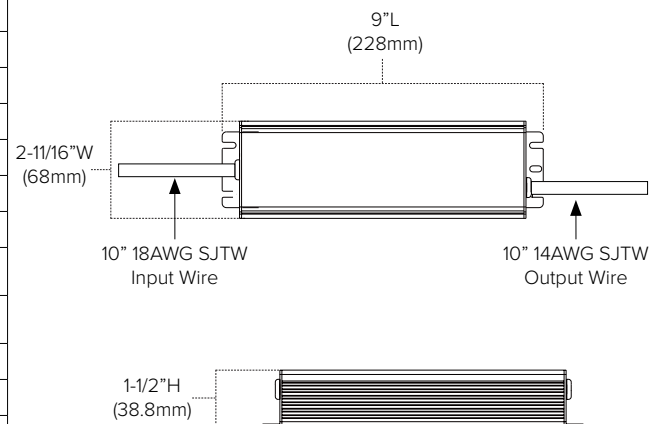
2 years

Technical Information



Model	LED-DR150-12	LED-DR150-24
Output DC Voltage	12V DC	24V DC
Rated Current	12.5A	6.3A
Maximum Load	150W (non-dimming); 147W (dimming*)	
Minimum Load	30W (non-dimming); 1W (dimming*)	
Input Voltage Range	100-240V AC, 277V AC (1.7A, 0.7A)	
Frequency Range	50/60Hz	
Power Factor	PF>0.98/115V AC, PF>0.95/230V AC at full load	
Efficiency	91.5%	93%
Dimming	Non-dimmable on primary side; Utilize secondary side for Trulux controls or PWM dimming*	
Over Current Protect	Constant Current limiting, recovers automatically after fault condition is removed	
Short Circuit Protect	Hiccup mode, recovers automatically after fault condition is removed	
Over Voltage Protect	Shut down o/p voltage with auto-recovery or re-power on to recover	
Over Temp Protect	Shut down o/p voltage, recovers automatically after temp goes down	
Operating Temp	Tcase = -40°F to 194°F (-40°C to 90°C) General ambient temperature max: 140°F (60°C)	
Operating Humidity	20 ~ 95% RH non-condensing	
Rating	cURus for wet or dry locations; RoHS Compliant	

Dimensions



*Utilize Trulux controller + receiver combo on secondary side (sold separately); PWM dimming will consume ±3W internally

Ordering Information

**LED-DR150
Driver**



LED-DR150-12 includes:

(1) 12V DC Constant Voltage Power Supply

LED-DR150-24 includes:

(1) 24V DC Constant Voltage Power Supply

Example Part # LED-DR150-12



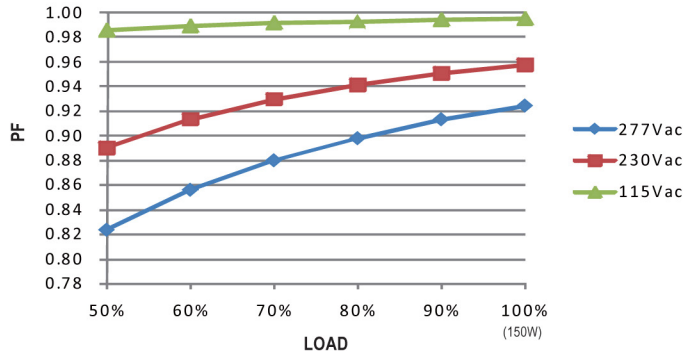


Additional Information

POWER FACTOR(PF) CHARACTERISTIC

☒ Tcase at 80°C

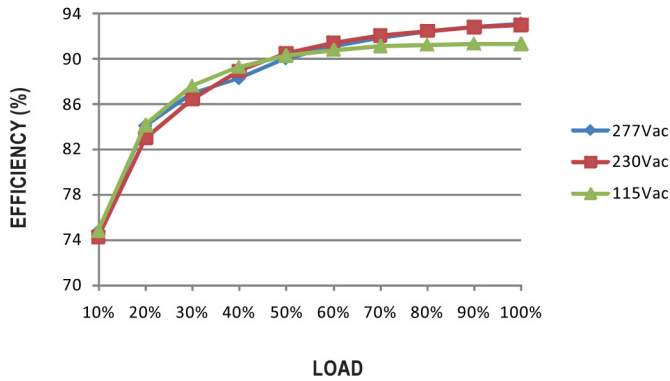
Constant Current Mode



EFFICIENCY vs LOAD

HLG-150H series possess superior working efficiency that up to 94% can be reached in field applications.

☒ 48V Model, Tcase at 80°C



NOTES
