

SLIM ARRAY SERIES

120V Exterior Flood Lights

The Slim Array is an ultra slim and compact area light with a locking swivel adjustment perfect for up-lighting, exterior corridors, landscape lighting, eaves, and side yards. Available in three fixture sizes delivering up to 3150 lumen output performance and comes standard with three selectable color temperature settings.

- Selectable 3-CCT: 3000K / 4000K / 5000K
- Available in three array size options (Small, Medium, Large)
- Up to 3150 lumens, consuming only 45 watts (ARS45)
- Die-cast aluminum housing
- Surface mount and soil mount stake installation capable
- Adjustable knuckle for directing light
- Includes removable/adjustable visor for shielding purposes
- Suitable for use in outdoor wet locations
- 35,000 hours rated life



PROJECT:
TYPE:
LOCATION:
CATALOG NUMBER:



ARS15



ARS30



ARS45

SLIM ARRAY SERIES QUICK SPECS

VOLTAGE	120V AC
WATTAGE	15W / 30W / 45W
LUMENS	Up to 3150Lm
CCT OPTIONS	Selectable 3-CCT 3000K / 4000K / 5000K
CRI	90+
BEAM ANGLE	120°
DIMMING	Non-Dimmable
MOUNTING	Surface Mount / Soil Mount (requires ARS-SMS)
OPERATING TEMP	-10°C (14°F) to 50°C (122°F)
CERTIFICATIONS	cETLus Listed - Wet Location
RATED LIFE	35,000 Hours

SLIM ARRAY SERIES ORDERING INFORMATION

ITEM NUMBER	DESCRIPTION	FINISH	VOLTAGE	CCT	CRI	LUMENS	WATTAGE	DIMMING
ARS15-3CCT-BK	ARS15	Black	120V	3-CCT	90+	Up to 1050Lm	15W	Non-Dimmable
ARS30-3CCT-BK	ARS30	Black	120V	3-CCT	90+	Up to 2100Lm	30W	Non-Dimmable
ARS45-3CCT-BK	ARS45	Black	120V	3-CCT	90+	Up to 3150Lm	45W	Non-Dimmable

SLIM ARRAY SERIES ACCESSORIES

ITEM NUMBER	DESCRIPTION
ARS-SMS	Soil Mounting Stake (image coming soon)

SLIM ARRAY SERIES QUICK DIMENSIONS

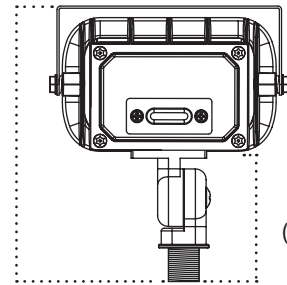
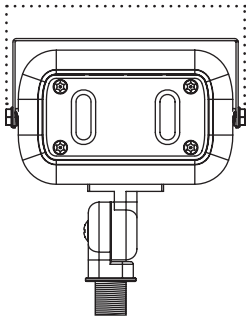
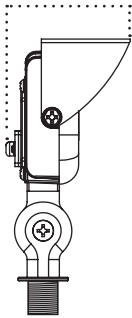
ARS15

2.75" (70mm)

5.28" (134mm)

6" (154mm)

2.87" (73mm)



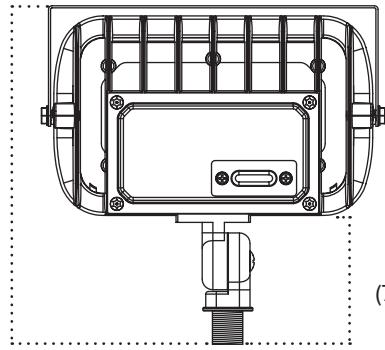
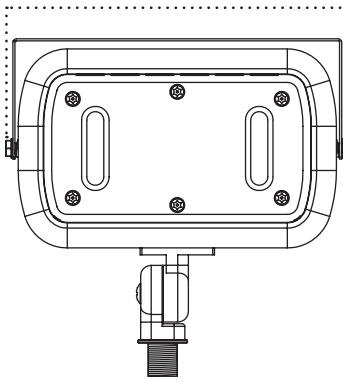
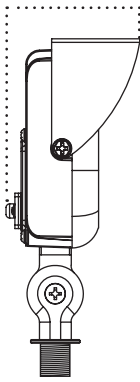
ARS30

3" (76mm)

7.64" (194mm)

7.5" (190mm)

2.87" (73mm)



ARS45

3.46" (88mm)

8.8" (223mm)

8.8" (223mm)

2.87" (73mm)

