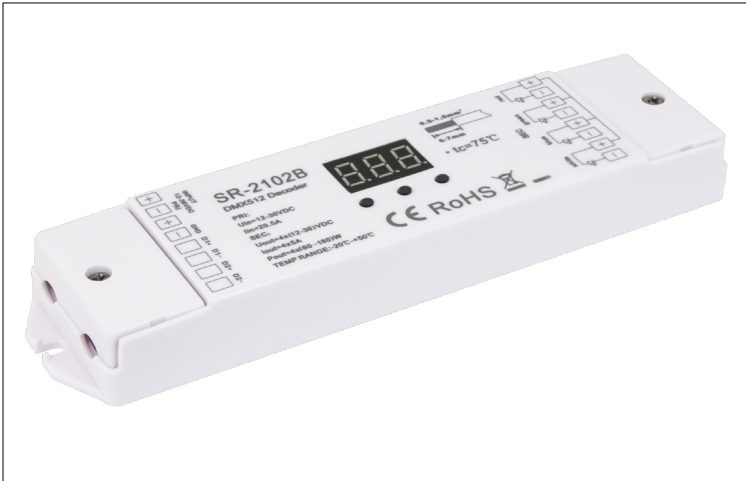


PROJECT: TYPE:

LOCATION: CAT:



Description

Trulux DMX signal receiver/decoder for use with Trulux DMX controllers and tape light.

Features

- One DMX control can 'talk' to multiple receivers when addressed properly; A separate receiver is required for each address
- Up to 180 watts can be connected on each of four internal circuits (each will be one address)
- Requires Trulux DMX controller and 12-24V DC input (sold separately) for operation
- Suitable wire types for DMX output: 12-22AWG

Mounting

Surface mount to hard surface

Applications

Receiver for DMX signal from Trulux DMX controller for Trulux RGB, RGB+WW, or Tunable tape light

Warranty

3 years

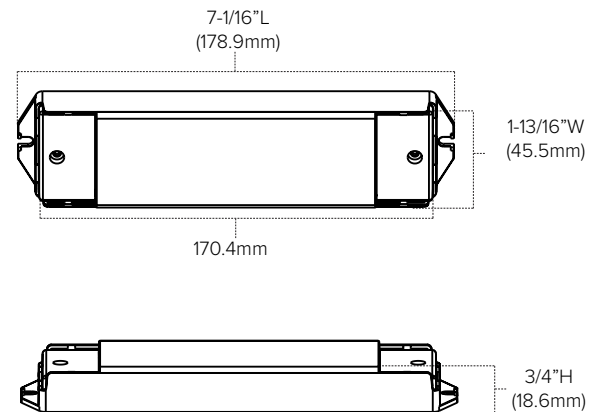
Technical Information



Input Voltage	12-36V DC - Constant Voltage
Input Current	20.5A maximum
Output Wattage	4 channels x (60-180)W
Output Current	4 channels x 5A
Temperature Range	-20°C to 50°C
Rating	FCC Compliant, RoHS Compliant, dry location

Receiver can be powered from secondary side of driver being used to power the controller and/or fixture.

Dimensions



Ordering Information

Trulux DMX Receiver

MODEL: **REC** - STYLE: **DMX** - TYPE: **5A** - ZONES: **4Z**

REC-DMX-5A-4Z includes:

(1) Trulux DMX Receiver
(requires 12-24V power supply & Trulux control)

Example Part # **DMX-5A-4Z**

REC - **DMX** - **5A** - **4Z**