

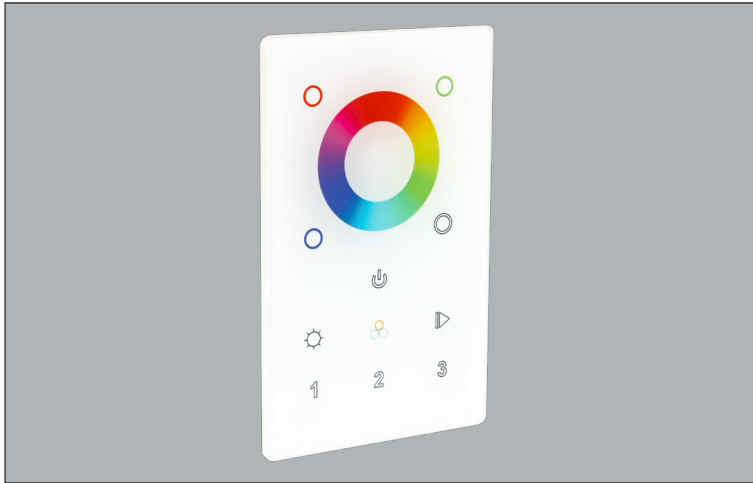


PROJECT:

TYPE:

LOCATION:

CAT:



Description

Trulux RF RGB/RGB+WW touch wall control for RGB/RGB+WW light control; 1-3 zone operation, 4 preset levels, and 1-3 scene memory.

Features

- Touch center for On/Off control
- Hold for RGB dimming (1-100%); Hold the white preset color selection for Dynamic White dimming
- 3 customizable scenes, 4 preset color selections, and Dynamic White through RGB color mixing
- Sensitive and accurate color wheel
- Radio frequency (RF) signal range up to 65 feet
- Control multiple receivers in a multiple zones
- Requires 12-24V DC input
- Requires Trulux RF receiver for operation (sold separately)

Mounting

Flush mount to wall or flat surface (1-3/4" x 2-5/8" cut-out)

Applications

Dimming, CCT, scene control, and zone control for RGB/RGB+WW

Warranty

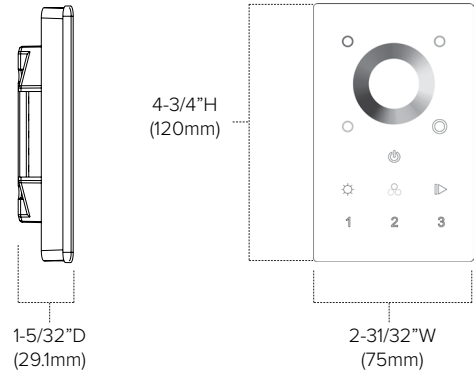
3 years

Technical Information



Voltage	12-24V DC
Power Consumption	200mA
Frequency	916.5Hz RF wireless
Operating Temperature	0° - 40°C
Relative Humidity	8% - 80%
Rating	FCC Compliant, RoHS Compliant, dry location

Dimensions



Required Receivers

Part Number	Description	Application	Input	Current	Output	Listing	Dimensions
REC-5A-4Z	Trulux RF Constant Voltage Receiver	Dry location	12-36V DC	4x5A	4x(60-180)W	RoHS	7-1/16" x 1-13/16" x 6-23/32" (178.9mm x 45.5mm x 18.6mm)

Controller can be powered from secondary side of 12-24V DC driver being used to power the Trulux receiver/Trulux tape light.
See 'Trulux Control Options' for selected tape light for more information.

Ordering Information

**Trulux RGB+WW
Touch Wall
Control**



RF-RGBW-3Z includes:

(1) Trulux RGB+WW Touch Wall Control
(requires Trulux receiver)

Example Part # **RF-RGBW-3Z**

